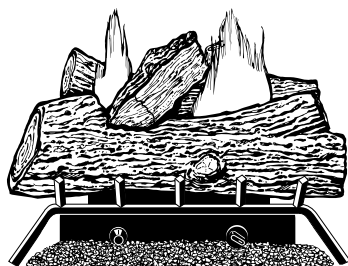


VANGUARD®

UNVENTED (VENT-FREE) PROPANE/LP GAS LOG HEATER

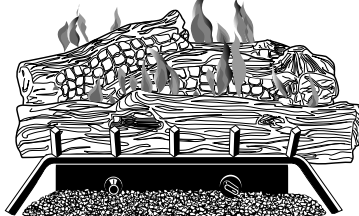
OWNER'S OPERATION AND INSTALLATION MANUAL

FLAME-MAX® Vintage Oak Log Design



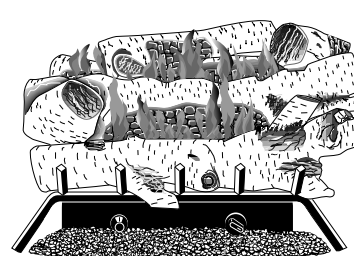
18" and 24" Variable
Manually-Controlled Models

FLAME-MAX® Golden Oak Log Design



18", 24", 30", and 36" Variable
Manually-Controlled and
18", 24", and 30" Thermostati-
cally Controlled Models

FLAME-MAX® Birch Log Design



18", 24", and 30" Variable
Manually-Controlled Model

WARNING: If the information in this manual is not followed exactly, a fire or explosion may result causing property damage, personal injury, or loss of life.

— Do not store or use gasoline or other flammable vapors and liquids in the vicinity of this or any other appliance.

— **WHAT TO DO IF YOU SMELL GAS**

- Do not try to light any appliance.
- Do not touch any electrical switch; do not use any phone in your building.
- Immediately call your gas supplier from a neighbor's phone. Follow the gas supplier's instructions.
- If you cannot reach your gas supplier, call the fire department.

— Installation and service must be performed by a qualified installer, service agency, or the gas supplier.

WARNING: Improper installation, adjustment, alteration, service, or maintenance can cause injury or property damage. Refer to this manual for correct installation and operational procedures. For assistance or additional information consult a qualified installer, service agency, or the gas supplier.

WARNING: This appliance has been specifically tested and design certified for installation only in a solid-fuel burning fireplace, including factory-built UL127 fireplaces and masonry fireplaces, or in a listed ventless firebox

WARNING: This is an unvented gas-fired heater. It uses air (oxygen) from the room in which it is installed. Provisions for adequate combustion and ventilation air must be provided. Refer to *Air for Combustion and Ventilation* section on page 4 of this manual.

Models Also Design Certified as Vented Decorative Appliances

This appliance may be installed in an aftermarket* manufactured (mobile) home, where not prohibited by state or local codes. This appliance is only for use with the type of gas indicated on the rating plate. This appliance is not convertible for use with other gases.

* Aftermarket: Completion of sale, not for purpose of resale, from the manufacturer



Patent Pending

Save this manual for future reference.

VANGUARD FLAME-MAX[®]

UNVENTED PROPANE/LP GAS LOG HEATER

SAFETY INFORMATION

WARNINGS

IMPORTANT: Read this owner's manual carefully and completely before trying to assemble, operate, or service this heater. Improper use of this heater can cause serious injury or death from burns, fire, explosion, electrical shock, and carbon monoxide poisoning.

 DANGER: Carbon monoxide poisoning may lead to death!

Carbon Monoxide Poisoning: Early signs of carbon monoxide poisoning resemble the flu, with headaches, dizziness, or nausea. If you have these signs, the heater may not be working properly. **Get fresh air at once!** Have heater serviced. Some people are more affected by carbon monoxide than others. These include pregnant women, people with heart or lung disease or anemia, those under the influence of alcohol, and those at high altitudes.

Propane Gas: Propane gas is odorless. An odor-making agent is added to the gas. The odor helps you detect a gas leak. However, the odor added to the gas can fade. Gas may be present even though no odor exists.

Make certain you read and understand all Warnings. Keep this manual for reference. It is your guide to safe and proper operation of this heater.

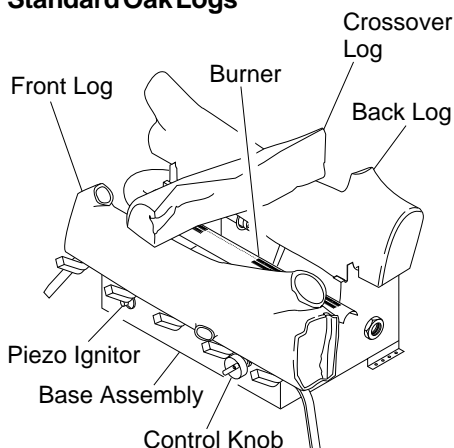
 WARNING: Any change to this heater or its controls can be dangerous.

1. This appliance is only for use with the type of gas indicated on the rating plate. This appliance is not convertible for use with other gases.
2. Do not place propane supply tank(s) inside any structure. Locate propane supply tank(s) outdoors.
3. To prevent performance problems, the use of a propane tank of less than 100 lbs. capacity is not recommended.
4. If you smell gas
 - shut off gas supply
 - do not try to light any appliance
 - do not touch any electrical switch; do not use any phone in your building
 - immediately call your gas supplier from a neighbor's phone. Follow the gas supplier's instructions
 - if you cannot reach your gas supplier, call the fire department
5. This heater shall not be installed in a bedroom or bathroom unless installed as a vented appliance (see page 10).
6. Never install the heater
 - in a recreational vehicle
 - where curtains, furniture, clothing, or other flammable objects are less than 36 inches from the front, top, or sides of the heater
 - in high traffic areas
 - in windy or drafty areas
7. Before installing in a solid fuel burning fireplace, the chimney flue and firebox must be cleaned of soot, creosote, ashes and loose paint by a qualified chimney cleaner. Creosote will ignite if highly heated. Inspect chimney flue for damage. If damaged, operate heater with flue damper closed.
8. If fireplace has glass doors, never operate this heater with glass doors closed. If you operate heater with doors closed, heat buildup inside fireplace will cause glass to burst. Also if fireplace opening has vents at the bottom, you must open the vents before operating heater.
9. You must operate this heater with a fireplace screen in place. Make sure fireplace screen is closed before running heater.
10. This log heater is designed to be smokeless. If logs ever appear to smoke, turn off heater and call a qualified service person. **Note:** During initial operation, slight smoking could occur due to log curing and heater burning manufacturing residues.
11. Do not allow fans to blow directly into the fireplace. Avoid any drafts that alter burner flame patterns. Ceiling fans can create drafts that alter burner flame patterns. Altered burner patterns can cause sooting.
12. Do not use a blower insert, heat exchanger insert or other accessory not approved for use with this heater.
13. This heater needs fresh, outside air ventilation to run properly. This heater has an oxygen depletion sensor (ODS) pilot light safety system. The ODS shuts down the heater if not enough fresh air is available. See *Air for Combustion and Ventilation*, pages 4 through 6. If heater keeps shutting off, see *Troubleshooting*, pages 18 through 20.
14. Do not run heater
 - where flammable liquids or vapors are used or stored
 - under dusty conditions
15. Do not use this heater to cook food or burn paper or other objects.
16. Never place any objects on the heater.
17. Heater base assembly becomes very hot when running heater. Keep children and adults away from hot surface to avoid burns or clothing ignition. Heater will remain hot for a time after shut-down. Allow surface to cool before touching.
18. Carefully supervise young children when they are in the room with heater.
19. Do not use heater if any part has been exposed to or under water. Immediately call a qualified service technician to inspect the room heater and to replace any part of the control system and any gas control which has been under water.
20. Do not operate heater if any log is broken. Do not operate heater if a log is chipped (dime-sized or larger).
21. Turn heater off and let cool before servicing. Only a qualified service person should service and repair heater.
22. Operating heater above elevations of 4,500 feet could cause pilot outage.

OWNER'S MANUAL

PRODUCT IDENTIFICATION

Flame-Max® Standard Oak Logs



Flame-Max® Golden Oak Logs

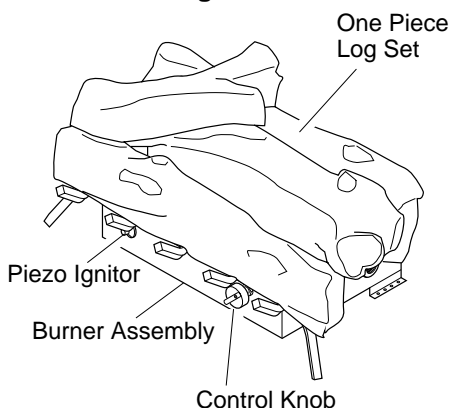
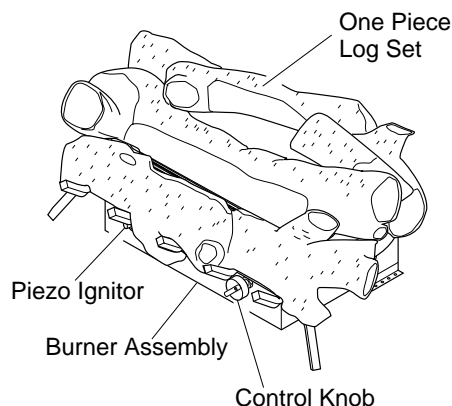
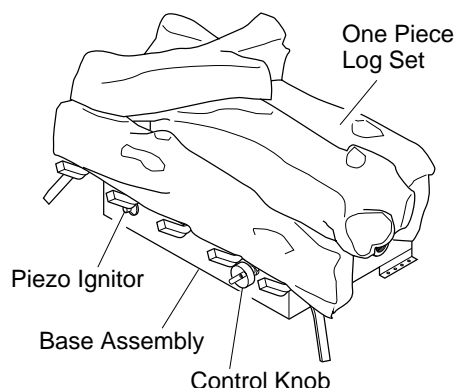


Figure 1 - Product Identification

Flame-Max® Birch Logs



Flame-Max® Golden Oak Logs T-Stat



LOCAL CODES

Install and use heater with care. Follow all local codes. In the absence of local codes, use the latest edition of *The National Fuel Gas Code ANSI Z223.1*, also known as NFPA 54*.

*Available from:

American National Standards Institute, Inc.
1430 Broadway
New York, NY 10018

National Fire Protection Association, Inc.
Batterymarch Park
Quincy, MA 02269

UNPACKING

IMPORTANT: Do not remove the metal Data Plates from the grate assembly. The Data Plates contain important product information.

1. Remove logs and heater base assembly from carton. **Note:** Do not pick up heater base assembly by the burner. This could damage heater. Always handle base assembly by grate.
2. Remove all protective packaging applied to logs and heater for shipment.
3. Check all items for any shipping damage. If damaged, promptly inform dealer where you bought heater.

PRODUCT FEATURES

Operation

This heater is clean burning. It requires no outside venting. There is no heat loss out a vent or up a chimney. Heat is generated by realistic, dancing yellow flames. This heater is designed for vent-free operation with flue damper closed. State and local codes in some areas prohibit the use of vent-free heaters. You can operate heater as a vented product by opening flue damper.

Safety Pilot

This heater has a pilot with an Oxygen Depletion Sensor Shutoff System (ODS). The ODS/pilot is a required feature for vent-free room heaters. The ODS/pilot shuts off the heater if there is not enough fresh air.

Piezo Ignition System

This heater has a piezo ignitor. This system requires no matches, batteries, or other sources to light heater.

VANGUARD FLAME-MAX[®]

UNVENTED PROPANE/LP GAS LOG HEATER

AIR FOR COMBUSTION AND VENTILATION

⚠ WARNING: This heater shall not be installed in a confined space unless provisions are provided for adequate combustion and ventilation air. Read the following instructions to insure proper fresh air for this and other fuel-burning appliances in your home.

Today's homes are built more energy efficient than ever. New materials, increased insulation, and new construction methods help reduce heat loss in homes. Home owners weather strip and caulk around windows and doors to keep the cold air out and the warm air in. During heating months, home owners want their homes as airtight as possible.

While it is good to make your home energy efficient, your home needs to breathe. Fresh air must enter your home. All fuel-burning appliances need fresh air for proper combustion and ventilation.

Exhaust fans, fireplaces, clothes dryers, and fuel burning appliances draw air from the house to operate. You must provide adequate fresh air for these appliances. This will insure proper venting of vented fuel-burning appliances.

PROVIDING ADEQUATE VENTILATION

The following is excerpts from *National Fuel Gas Code. NFPA 54/ANSI Z223.1, Section 5.3, Air for Combustion and Ventilation.*

All spaces in homes fall into one of the three following ventilation classifications:

1. Unusually Tight Construction
2. Unconfined Space
3. Confined Space

The information on pages 4 through 6 will help you classify your space and provide adequate ventilation.

Unusually Tight Construction

The air that leaks around doors and windows may provide enough fresh air for combustion and ventilation. However, in buildings of unusually tight construction, you must provide additional fresh air.

Unusually tight construction is defined as construction where:

- a. walls and ceilings exposed to the outside atmosphere have a continuous water vapor retarder with a rating of one perm (6×10^{-11} kg per pa-sec- m^2) or less with openings gasketed or sealed **and**
- b. weather stripping has been added on openable windows and doors **and**
- c. caulking or sealants are applied to areas such as joints around window and door frames, between sole plates and floors, between wall-ceiling joints, between wall panels, at penetrations for plumbing, electrical, and gas lines, and at other openings.

If your home meets all of the three criteria above, you must provide additional fresh air. See *Ventilation Air From Outdoors*, page 6.

If your home does not meet all of the three criteria above, proceed to *Determining Fresh Air Flow For Heater Location*, page 5.

Confined and Unconfined Space

The National Fuel Gas Code (ANSI Z223.1, 1992 Section 5.3) defines a confined space as a space whose volume is less than 50 cubic feet per 1,000 Btu per hour (4.8 m³ per kw) of the aggregate input rating of all appliances installed in that space and an unconfined space as a space whose volume is not less than 50 cubic feet per 1,000 Btu per hour (4.8 m³ per kw) of the aggregate input rating of all appliances installed in that space. Rooms communicating directly with the space in which the appliances are installed*, through openings not furnished with doors, are considered a part of the unconfined space.

This heater shall not be installed in a confined space or unusually tight construction unless provisions are provided for adequate combustion and ventilation air.

* Adjoining rooms are communicating only if there are doorless passageways or ventilation grills between them.

AIR FOR COMBUSTION AND VENTILATION

Continued

DETERMINING FRESH AIR FLOW FOR HEATER LOCATION

Determining if You Have a Confined or Unconfined Space

Use this work sheet to determine if you have a confined or unconfined space.

Space: Includes the room in which you will install heater plus any adjoining rooms with doorless passageways or ventilation grills between the rooms.

1. Determine the volume of the space (length x width x height).

Length x Width x Height = _____ cu. ft. (volume of space)

Example: Space size 20 ft. (length) x 16 ft. (width) x 8 ft. (ceiling height) = 2560 cu. ft. (volume of space)

If additional ventilation to adjoining room is supplied with grills or openings, add the volume of these rooms to the total volume of the space.

2. Divide the space volume by 50 cubic feet to determine the maximum Btu/Hr the space can support.

_____ (volume of space) ÷ 50 cu. ft. = (maximum Btu/Hr the space can support)

Example: 2560 cu. ft. (volume of space) ÷ 50 cu. ft. = 51.2 or 51,200 (maximum Btu/Hr the space can support)

3. Add the Btu/Hr of all fuel burning appliances in the space.

| | | | |
|-------------------------|---------|--------|--|
| Vent-free heater | _____ | Btu/Hr | |
| Gas water heater* | _____ | Btu/Hr | |
| Gas furnace | _____ | Btu/Hr | |
| Vented gas heater | _____ | Btu/Hr | |
| Gas fireplace logs | _____ | Btu/Hr | |
| Other gas appliances* + | _____ | Btu/Hr | |
| Total | = _____ | Btu/Hr | |

Example:

| | | | |
|------------------|---------|--------|--------|
| Gas water heater | + _____ | 40,000 | Btu/Hr |
| Vent-free heater | + _____ | 31,500 | Btu/Hr |
| Total | = _____ | 71,500 | Btu/Hr |

* Do not include direct-vent gas appliances. Direct-vent draws combustion air from the outdoors and vents to the outdoors.

4. Compare the maximum Btu/Hr the space can support with the actual amount of Btu/Hr used.

_____ Btu/Hr (maximum the space can support)

_____ Btu/Hr (actual amount of Btu/Hr used)

Example: 51,200 Btu/Hr (maximum the space can support)

71,500 Btu/Hr (actual amount of Btu/Hr used)

The space in the above example is a confined space because the actual Btu/Hr used is more than the maximum Btu/Hr the space can support. You must provide additional fresh air. Your options are as follows:

- A. Rework worksheet, adding the space of an adjoining room. If the extra space provides an unconfined space, remove door to adjoining room or add ventilation grills between rooms. See *Ventilation Air From Inside Building*, page 6.
- B. Vent room directly to the outdoors. See *Ventilation Air From Outdoors*, page 6.
- C. Install a lower Btu/Hr heater, if lower Btu/Hr size makes room unconfined.

If the actual Btu/Hr used is less than the maximum Btu/Hr the space can support, the space is an unconfined space. You will need no additional fresh air ventilation.

⚠ WARNING: If the area in which the heater may be operated is smaller than that defined as an unconfined space, provide adequate combustion and ventilation air by one of the methods described in the *National Fuel Gas Code, ANSI Z223.1, 1992, Section 5.3* or applicable local codes.

Continued

VANGUARD FLAME-MAX®

UNVENTED PROPANE/LP GAS LOG HEATER

AIR FOR COMBUSTION AND VENTILATION

Continued

VENTILATION AIR

Ventilation Air From Inside Building

This fresh air would come from an adjoining unconfined space. When ventilating to an adjoining unconfined space, you must provide two permanent openings: one within 12" of the ceiling and one within 12" of the floor on the wall connecting the two spaces (see options 1 and 2, Figure 2). You can also remove door into adjoining room (see option 3, Figure 2). Follow the *National Fuel Gas Code NFPA 54/ANSI Z223.1, Section 5.3, Air for Combustion and Ventilation* for required size of ventilation grills or ducts.

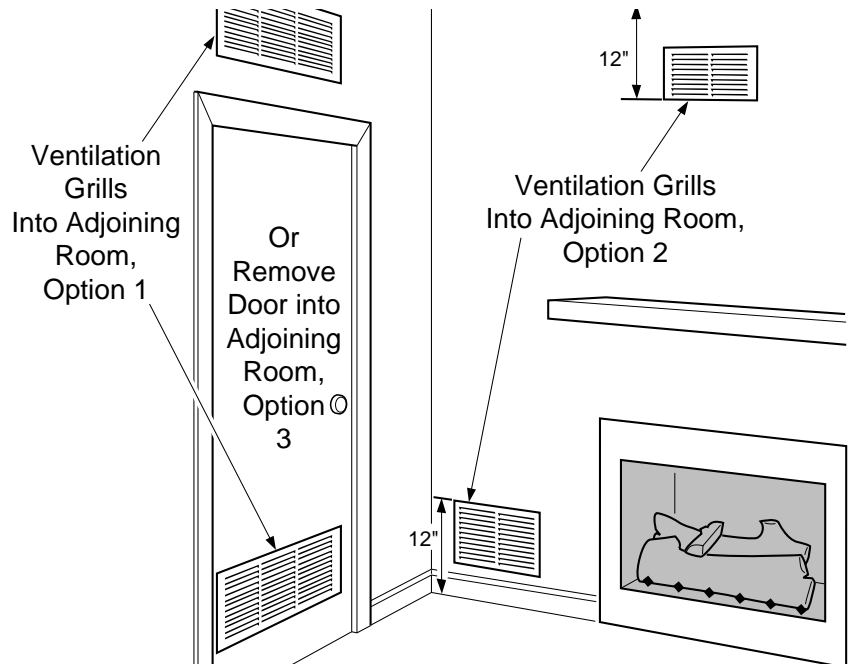


Figure 2 - Ventilation Air from Inside Building

⚠ WARNING: Rework worksheet, adding the space of the adjoining unconfined space. The combined spaces must have enough fresh air to supply all appliances in both spaces.

Ventilation Air From Outdoors

Provide extra fresh air by using ventilation grills or ducts. You must provide two permanent openings: one within 12" of the ceiling and one within 12" of the floor. Connect these items directly to the outdoors or spaces open to the outdoors. These spaces include attics and crawl spaces.

IMPORTANT: Do not provide openings for inlet or outlet air into attic if attic has a thermostat-controlled power vent. Heated air entering the attic will activate the power vent.

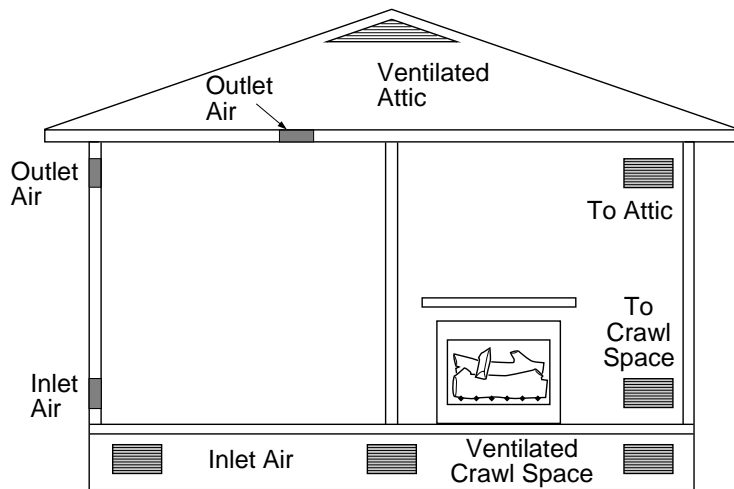


Figure 3 - Ventilation Air from Outdoors

INSTALLATION

NOTICE: This heater is intended for use as supplemental heat. Use this heater along with your primary heating system. Do not install this heater as your primary heat source. If you have a central heating system, you may run system's circulating blower while using heater. This will help circulate the heat throughout the house. In the event of a power outage, you can use this heater as your primary heat source.

NOTICE: A qualified service person must install heater. Follow all local codes.

NOTICE: State or local codes may only allow operation of this appliance in a vented configuration. Check your state or local codes.

WARNING: Before installing in a solid fuel burning fireplace, the chimney flue and firebox must be cleaned of soot, creosote, ashes and loose paint by a qualified chimney cleaner. Creosote will ignite if highly heated. A dirty chimney flue may create and distribute soot within the house. Inspect chimney flue for damage. If damaged, operate heater with flue damper closed.

WARNING: Seal any fresh air vents or ash clean-out doors located on floor or wall of fireplace. If not, drafting may cause pilot outage or sooting. Use a heat-resistant sealant. Do not seal chimney flue damper.

WARNING: Never install the heater

- in a bedroom or bathroom unless installed as a vented appliance (see page 10)
- in a recreational vehicle
- where curtains, furniture, clothing, or other flammable objects are less than 36 inches from the front, top, or sides of the heater
- in high traffic areas
- in windy or drafty areas

CAUTION: This heater creates warm air currents. These currents move heat to wall surfaces next to heater. Installing heater next to vinyl or cloth wall coverings or operating heater where impurities (such as tobacco smoke, aromatic candles, cleaning fluids, oil or kerosene lamps, etc.) in the air exist, may discolor walls.

IMPORTANT: Vent-free heaters add moisture to the air. Although this is beneficial, installing heater in rooms without enough ventilation air may cause mildew to form from too much moisture. See *Air for Combustion and Ventilation*, pages 4 through 6.

CHECK GAS TYPE

Use only propane gas. If your gas supply is not propane, do not install heater. Call dealer where you bought heater for proper type heater.

INSTALLATION AND CLEARANCES (Vent-Free Operation Only)

WARNING: Maintain the minimum clearances. If you can, provide greater clearances from floor, ceiling, and adjoining wall.

Minimum Fireplace Clearance To Combustible Materials

| Log Size | Side Wall | Ceiling |
|------------------------|-----------|---------|
| 18", 24", 30", and 36" | 16" | 42" |

Log Sizing Requirements

| Log Size | Minimum Firebox | | | |
|----------|-----------------|-------|-------------|-------------|
| | Height | Depth | Front Width | Rear* Width |
| 18" | 17" | 14" | 24" | 20" |
| 24" | 17" | 14" | 28" | 21" |
| 30" | 17" | 14" | 34" | 24" |
| 36" | 17" | 14" | 40" | 30" |

*Measured at 14" depth

Carefully follow the instructions below. This will ensure safe installation into a masonry, factory built UL127 fireplace, or listed vent-free firebox.

Minimum Wall and Ceiling Clearances (see Figure 4)

- Clearances from the side of the fireplace opening to any combustible wall should not be less than 16 inches.
- Clearances from the top of the fireplace opening to the ceiling should not be less than 42 inches.

NOTICE: Manual control heaters may be used as a vented product. If so, you must always run heater with chimney flue damper open. If running heater with damper open, non-combustible material above fireplace opening is not needed. Go to *Installing Damper Clamp Accessory for Vented Operation*, page 10.

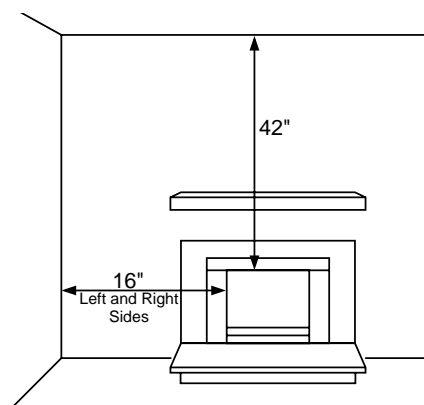


Figure 4 - Minimum Clearance to Wall and Ceiling

VANGUARD FLAME-MAX®

UNVENTED PROPANE/LP GAS LOG HEATER

INSTALLATION

Continued

Minimum Non-combustible Material Clearances

If Not Using Mantel

You must have non-combustible material(s) above the fireplace opening. Non-combustible materials (such as slate, marble, tile, etc.) must be at least 1/2 inch thick. With sheet metal, you must have non-combustible material behind it. Non-combustible material must extend at least 8" up (for all models). If non-combustible material is less than 12", you must install the fireplace hood accessory (24", 30", and 36" models only). See Figure 4 on page 7 and Figure 5 for minimum clearances.

IMPORTANT: If you cannot meet these minimum clearances, you must operate heater with chimney flue damper open. Go to *Installing Damper Clamp Accessory for Vented Operation*, page 10.

If Using Mantel

You must have non-combustible material(s) above the fireplace opening. Non-combustible materials (such as slate, marble, tile, etc.) must be at least 1/2 inch thick. With sheet metal, you must have non-combustible material behind it. Non-combustible material must extend at least 8 inches up (for all models). If non-combustible material is less than 12", you must install the fireplace hood accessory (24", 30", and 36" models only). Even if non-combustible material is more than 12", you may need the hood accessory to deflect heat away from your mantel shelf. See Figure 5 and Figures 6 and 7, page 9, for minimum clearances.

IMPORTANT: If you cannot meet these minimum clearances, you must operate heater with chimney flue damper open. Go to *Installing Damper Clamp Accessory for Vented Operation*, page 10.

| Non-Combustible Material Distance (A) | Requirements for Safe Installation |
|---------------------------------------|--|
| 12" or more | Non-combustible material OK. |
| Between 8" and 12" | 24", 30", or 36" Models: Install fireplace hood accessory (GA6050, GA6052, or GA6053 see <i>Accessories</i> , page 30). 18" Model: Non-combustible material OK. |
| Less than 8" | Non-combustible material must be extended to at least 8". See <i>Between 8" and 12"</i> , above. If you cannot extend material, you must operate heater with flue damper open. |

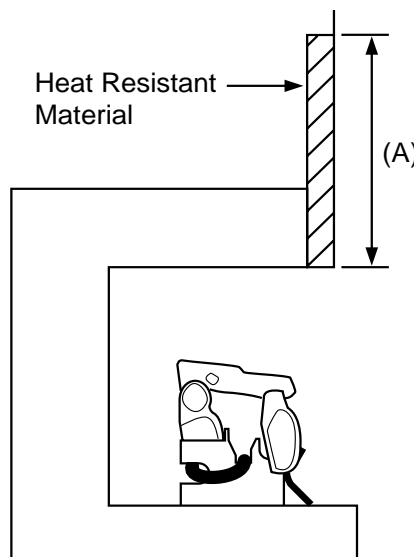


Figure 5 - Heat Resistant Material (Slate, Marble, Tile, etc.) Above Fireplace

INSTALLATION

Continued

Mantel Clearances

In addition to meeting non-combustible material clearances, you must also meet required clearances between fireplace opening and mantel shelf. If you do not meet the clearances listed below, you will need a hood.

Determining Minimum Mantel Clearance

If you meet minimum clearance between mantel shelf and top of fireplace opening, a hood is not required (see Figure 6).

Determining Minimum Mantel Clearance When using a Hood

If minimum clearances in Figure 6 are not met, you must have a hood. When using a hood there are still certain minimum mantel clearances required. Follow minimum clearances shown in Figure 7 when using hood.

NOTICE: If your installation does not meet the minimum clearances shown, you must do one of the following:

- operate the logs only with the flue damper open
- raise the mantel to an acceptable height
- remove the mantel

Floor Clearances

- If installing appliance on the floor level, you must maintain the minimum distance of 14" to combustibles (see Figure 8).
- If combustible materials are less than 14" to the fireplace, you must install appliance at least 5" above the combustible flooring (see Figure 9).

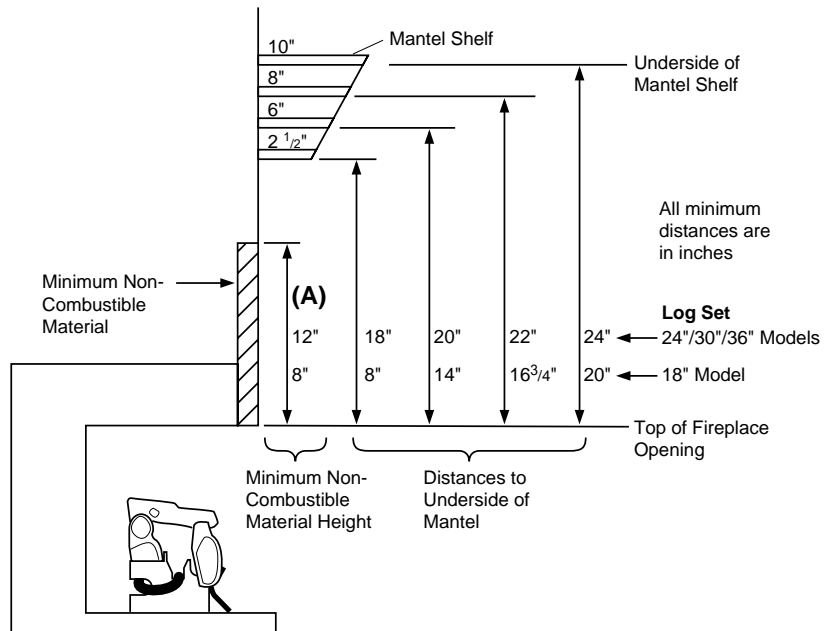


Figure 6 - Minimum Mantel Clearances Without Using Hood

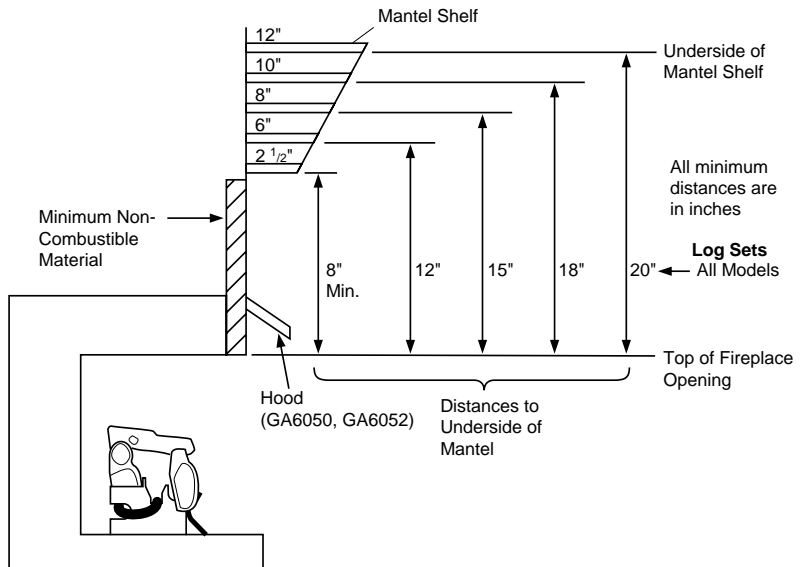


Figure 7 - Minimum Mantel Clearances When Using Hood

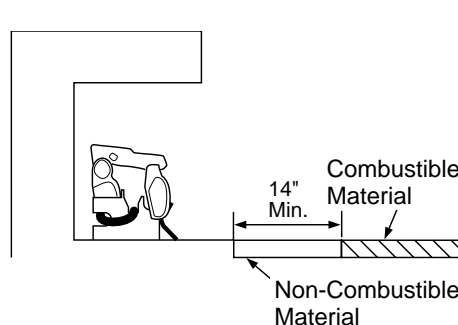


Figure 8 - Minimum Fireplace Clearances If Installed at Floor Level

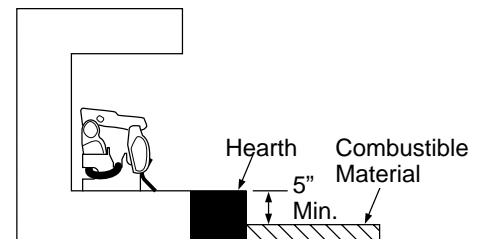


Figure 9 - Minimum Fireplace Clearances Above Combustible Flooring

Continued

VANGUARD FLAME-MAX[®]

UNVENTED PROPANE/LP GAS LOG HEATER

INSTALLATION

Continued

INSTALLING DAMPER CLAMP ACCESSORY FOR VENTED OPERATION

Note: When used as a vented heater, appliance must be installed only in a solid-fuel burning fireplace with a working flue and constructed of non combustible material.

If your heater is a manually controlled model, you may use this heater as a vented product. There are three reasons for operating your heater in the vented mode:

1. The fireplace does not meet the clearance to combustibles requirements for vent-free operation
2. State or local codes do not permit vent-free operation
3. You prefer vented operation

If reasons number 1 or 2 above apply to you, you must permanently open chimney flue damper. You must install the damper clamp accessory (to order, see *Accessories*, page 30). This will insure vented operation (see Figure 10). The damper clamp will keep damper open. Installation instructions are included with clamp accessory.

See chart below for minimum permanent flue opening you must provide. Attach damper clamp so the minimum permanent flue opening will be maintained at all times.

| Chimney Height (ft.) | Minimum Permanent Flue Opening (sq. ins.) |
|----------------------|---|
| 6' to 15' | 39 sq. inches |
| 15' to 30' | 29 sq. inches |

| Area of Various Standard Round Flues | |
|--------------------------------------|-----------------|
| Diameter (ins.) | Area (sq. ins.) |
| 5" | 20 sq. inches |
| 6" | 29 sq. inches |
| 7" | 39 sq. inches |
| 8" | 51 sq. inches |

INSTALLING HEATER BASE ASSEMBLY

WARNING: You must secure this heater to fireplace floor. If not, heater will move when you adjust controls. Moving heater may cause a gas leak.

WARNING: If installing in a sunken fireplace, special care is needed. You must raise the fireplace floor to allow access to heater control panel. This will insure adequate air flow and guard against sooting. Raise fireplace floor with non-combustible material. Make sure material is secure.

CAUTION: Do not pick up heater base assembly by the burner. This could damage heater. Only handle base assembly by grates.

CAUTION: Do not remove the metal data plates attached to the heater base assembly. The data plates contain important warranty information.

IMPORTANT: Make sure the heater burner is level. If heater is not level, heater will not work properly.

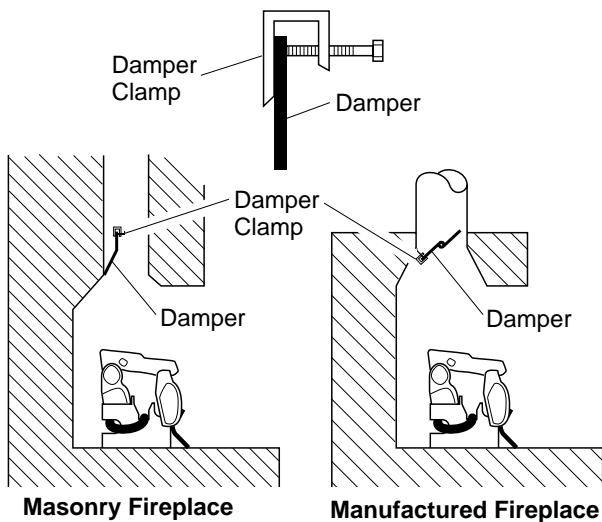


Figure 10 - Attaching Damper Clamp

INSTALLATION

Continued

Installation Items Needed

- hardware package (provided with heater)
- approved flexible gas hose (not provided) (if allowed by local codes)
- sealant (resistant to LP gas, not provided)
- electric drill with 3/16" drill bit (metal or masonry as applicable)
- flathead screwdriver

1. Apply pipe joint sealant lightly to male threads of the fitting to be threaded into gas regulator. Connect approved flexible gas hose to gas regulator of heater (see Figure 11).

IMPORTANT: Hold gas regulator with wrench when connecting flexible gas hose.

2. Locate two masonry screws in hardware package.
3. Place heater base in fireplace.
4. Place logs in their proper position on heater base.
5. Center heater base and logs front-to-back and side-to-side in fireplace.
6. Carefully remove logs without moving heater base.
7. Mark screw locations through one hole on each side of the mounting bracket (see Figure 12). If installing in a brick-bottom fireplace, mark screw locations in mortar joint of bricks.
8. Remove heater base from fireplace.
9. Drill holes at marked locations using 3/16" drill bit.
10. Attach base assembly to fireplace floor using two masonry screws (in hardware package).
11. Connect to gas supply. See *Connecting To Gas Supply*, page 12.
12. Replace logs on heater base.

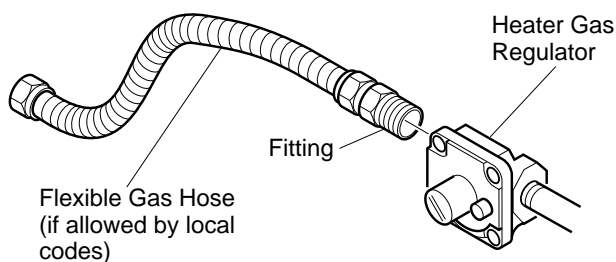
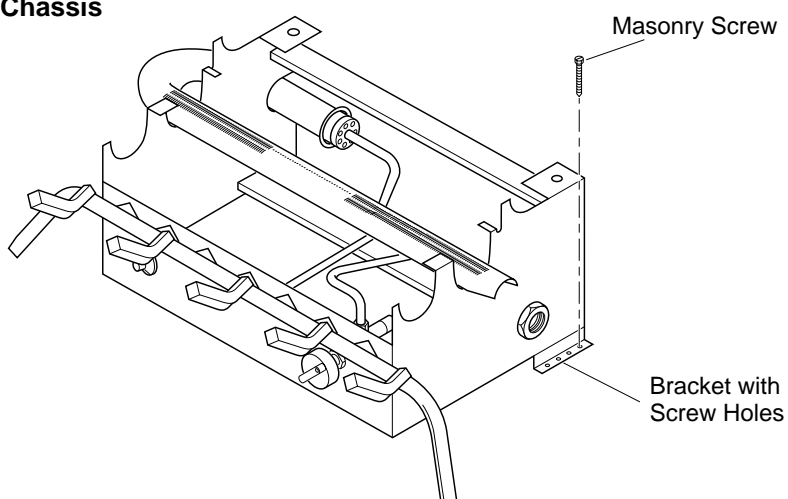


Figure 11 - Attaching Flexible Gas Hose to Heater Gas Regulator

Standard Oak Log Chassis



Golden Oak and Birch Model Chassis

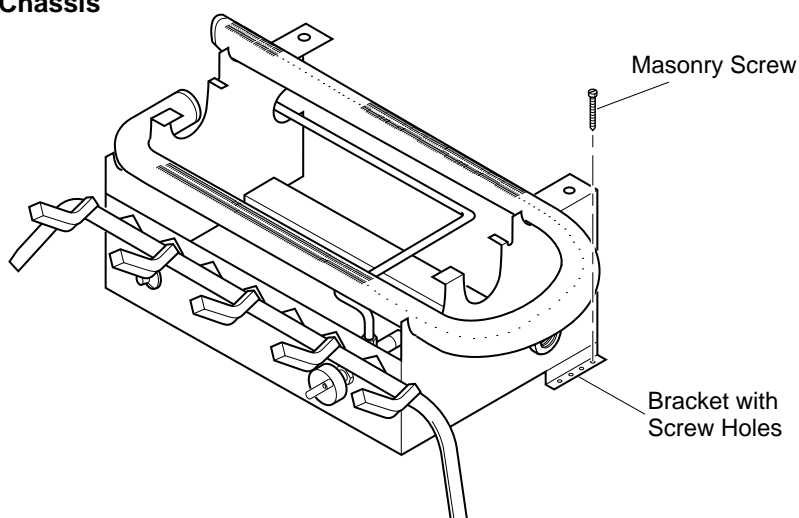


Figure 12 - Attaching Base Assembly to Fireplace Floor

Continued

VANGUARD FLAME-MAX®

UNVENTED PROPANE/LP GAS LOG HEATER

INSTALLATION

Continued

CONNECTING TO GAS SUPPLY

NOTICE: A qualified service person must connect heater to gas supply. Follow all local codes.

CAUTION: Never connect heater directly to the propane supply. This heater requires an external regulator (not supplied). Install the external regulator between the heater and propane supply.

Installation Items Needed

Before installing heater, make sure you have the items listed below.

- external regulator (supplied by installer)
- piping (check local codes)
- sealant (resistant to LP gas)
- manual shutoff valve *
- test gauge connection *
- sediment trap
- tee joint
- pipe wrench

* An A.G.A. design-certified manual shutoff valve with 1/8" NPT tap is an acceptable alternative to test gauge connection. Purchase the optional A.G.A. design-certified manual shutoff valve from your dealer. See *Accessories*, page 30.

The installer must supply an external regulator. The external regulator will reduce incoming gas pressure. You must reduce incoming gas pressure to between 11 and 14 inches of water. If you do not reduce incoming gas pressure, heater regulator damage could occur. Install external regulator with the vent pointing down as shown in Figure 13. Pointing the vent down protects it from freezing rain or sleet.

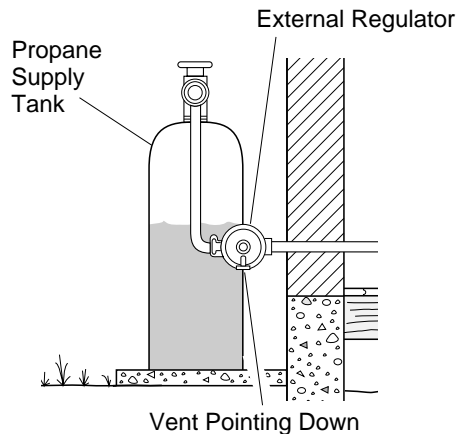


Figure 13 - External Regulator With Vent Pointing Down

WARNING: Never connect heater to private (non-utility) gas wells. This gas is commonly known as well-head gas.

CAUTION: Use only new, black iron or steel pipe. Internally-tinned copper tubing may be used in certain areas. Check your local codes. Use pipe of 1/2" diameter or greater to allow proper gas volume to heater. If pipe is too small, undue loss of pressure will occur.

Installation must include a manual shutoff valve, union, and plugged 1/8" NPT tap. Locate NPT tap within reach for test gauge hook up. NPT tap must be upstream from heater (see Figure 14).

Apply pipe joint sealant lightly to male threads. This will prevent excess sealant from going into pipe. Excess sealant in pipe could result in clogged heater valves.

CAUTION: Use pipe joint sealant that is resistant to liquid petroleum (LP) gas.

Install sediment trap in supply line as shown in Figure 14. Locate sediment trap where it is within reach for cleaning. Locate sediment trap where trapped matter is not likely to freeze. A sediment trap traps moisture and contaminants. This keeps them from going into heater controls. If sediment trap is not installed or is installed wrong, heater may not run properly.

CAUTION: Avoid damage to regulator. Hold gas regulator with wrench when connecting it to gas piping and/or fittings.

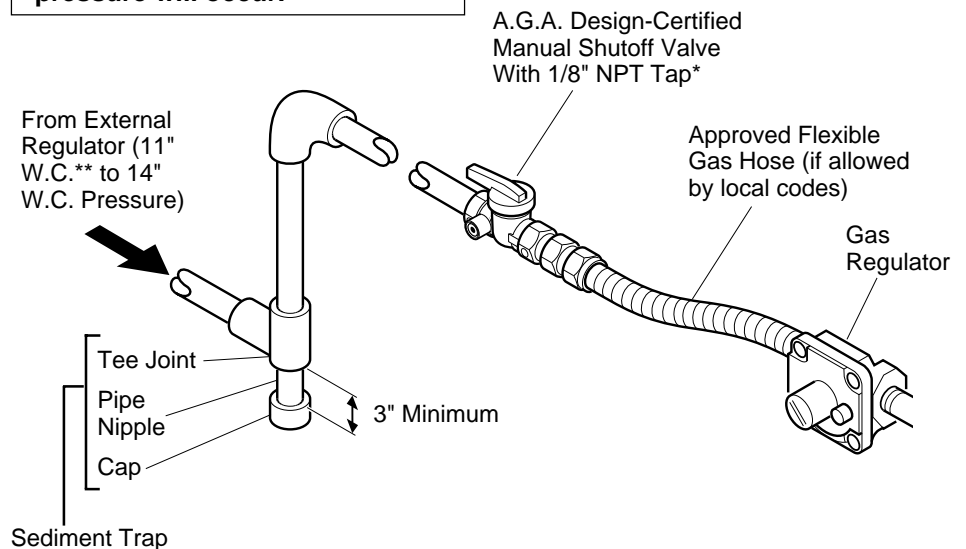


Figure 14 - Gas Connection

* Purchase the optional A.G.A. design-certified manual shutoff valve from your dealer. See *Accessories*, page 30.

** Minimum inlet pressure for purpose of input adjustment.

INSTALLATION

Continued

CHECKING GAS CONNECTIONS

⚠ WARNING: Test all gas piping and connections for leaks after installing or servicing. Correct all leaks at once.

⚠ WARNING: Never use an open flame to check for a leak. Apply a mixture of liquid soap and water to all joints. Bubbles forming show a leak. Correct all leaks at once.

⚠ CAUTION: Make sure external regulator has been installed between propane supply and heater. See guidelines under *Connecting to Gas Supply*, page 12.

Test Pressures Equal To or Less Than 1/2 PSIG

1. Close manual shutoff valve (see Figure 15).
2. Pressurize supply piping system by either using compressed air or opening propane supply tank valve.
3. Check all joints from propane supply tank to manual shutoff valve (see Figure 15). Apply mixture of liquid soap and water to gas joints. Bubbles forming show a leak.
4. Correct all leaks at once.

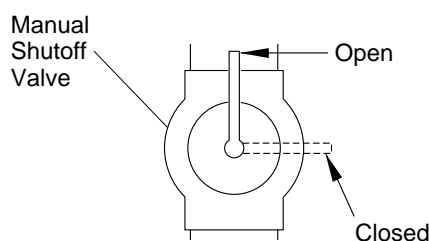


Figure 15 - Manual Shutoff Valve

Pressure Testing Heater Gas Connections

1. Open manual shutoff valve (see Figure 15).
2. Open propane supply tank valve.
3. Make sure control knob of heater is in the OFF position.
4. Check all joints from manual shutoff valve to control valve (see Figure 16). Apply mixture of liquid soap and water to gas joints. Bubbles forming show a leak.
5. Correct all leaks at once.
6. Light heater (see *Operating Heater*, manually controlled models, pages 15 and 16 or thermostatically controlled models, pages 16 and 17). Check all other internal joints for leaks.
7. Turn off heater (see *To Turn Off Gas to Appliance*, manually controlled models, page 16 or thermostatically controlled models, page 17).

Pressure Testing Gas Supply Piping System

Test Pressures In Excess Of 1/2 PSIG

1. Disconnect heater and its individual manual shutoff valve from gas supply piping system. Pressures in excess of 1/2 psig will damage heater regulator.
2. Cap off open end of gas pipe where manual shutoff valve was connected.
3. Pressurize supply piping system by either using compressed air or opening propane supply tank valve.
4. Check all joints of gas supply piping system. Apply mixture of liquid soap and water to gas joints. Bubbles forming show a leak.
5. Correct all leaks at once.
6. Reconnect heater and manual shutoff valve to gas supply. Check reconnected fittings for leaks.

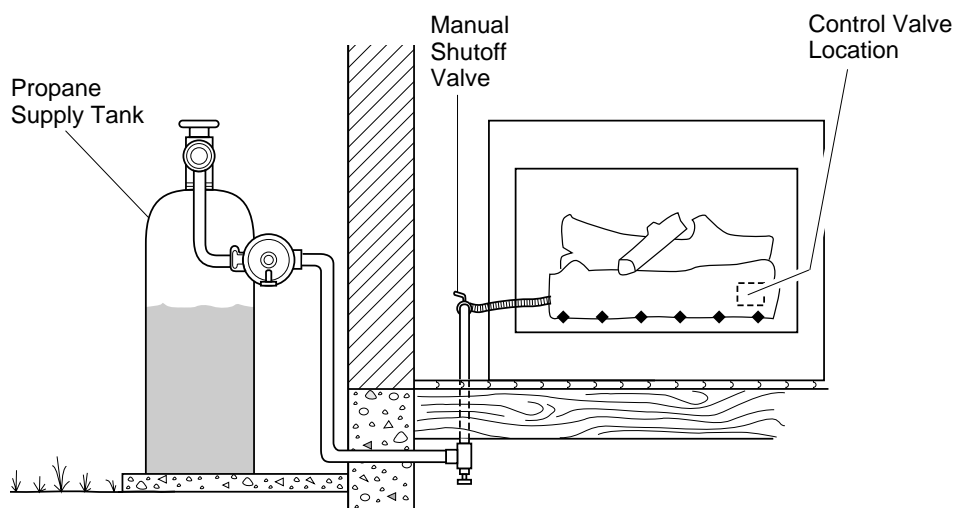


Figure 16 - Checking Gas Joints

Continued

VANGUARD FLAME-MAX®

UNVENTED PROPANE/LP GAS LOG HEATER

INSTALLATION

Continued

INSTALLING LOGS

⚠ WARNING: Failure to position the parts in accordance with these diagrams or failure to use only parts specifically approved with this heater may result in property damage or personal injury.

⚠ CAUTION: After installation and periodically thereafter, check to ensure that no flame comes in contact with any log. With the heater set to High, check to see if flames contact any log. If so, reposition logs according to the log installation instructions in this manual. Flames contacting logs will create soot.

For Vintage Oak Model

Each log is marked with a number. These numbers will help you identify the log when installing. It is very important to install these logs exactly as instructed. Do not modify logs. Only use logs supplied with heater.

1. Locate pegs on the bottom of back log (#1). Slide these pegs into the holes in the grate base behind the burner (see Figure 17).
2. Locate the notches on the back of the front log (#2). Slide these notches over the tabs of the grate base (see Figure 18).
3. Locate the notches in the bottom of the crossover log (#3). Place the crossover log on top of the back log and front log. Make sure the notches of the crossover log line up with rectangular knobs on top of the back and front logs (see Figure 19).
4. Add lava rock around base of heater.

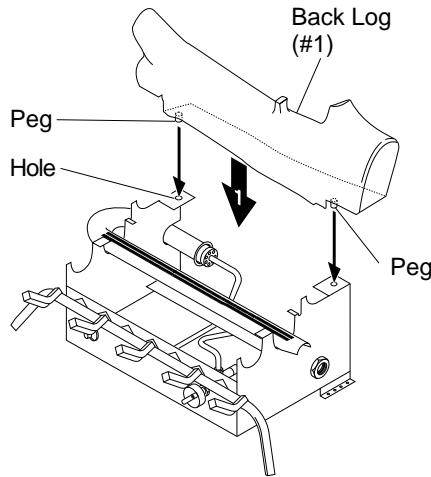


Figure 17 - Installing Back Log

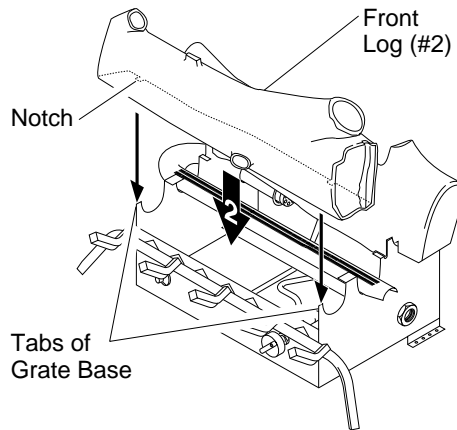


Figure 18 - Installing Front Log

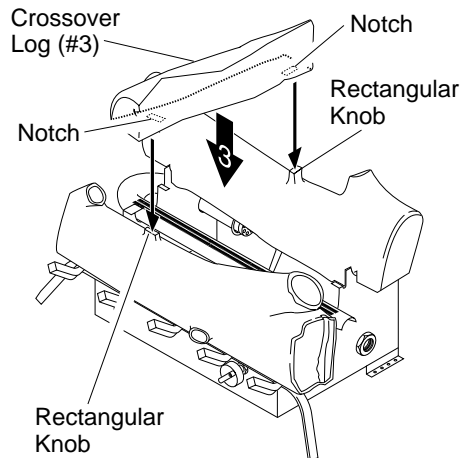


Figure 19 - Installing Crossover Log

For Golden Oak or Birch Models

It is very important to install the logs exactly as instructed. Do not modify logs. Only use logs supplied with heater.

1. Place one-piece log set on grate to fit as illustrated in Figure 20. Make sure middle section at bottom of log set is seated into "U"-shaped cutout in center of chassis (see Figure 20). *Note:* 36" and birch models have more features but fit on the chassis the same. Log will fit securely on chassis. **IMPORTANT:** Make sure log does not cover any burner parts.
2. Place lava rock around base of heater.

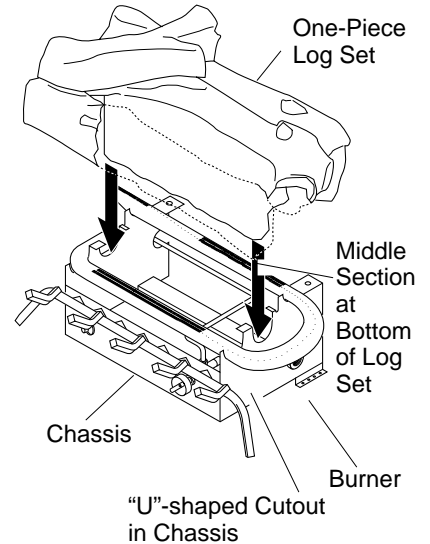


Figure 20 - Installing Golden Oak or Birch One-Piece Log Set

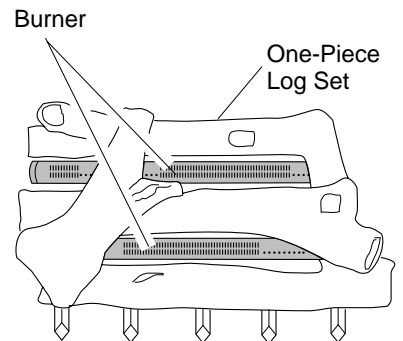


Figure 21 - Installing Golden Oak or Birch One-Piece Log Set (Top View)

OPERATING HEATER

MANUALLY CONTROLLED MODELS

FOR YOUR SAFETY READ BEFORE LIGHTING

⚠ WARNING: If you do not follow these instructions exactly, a fire or explosion may result causing property damage, personal injury or loss of life.

- This appliance has a pilot which must be lighted by hand. When lighting the pilot, follow these instructions exactly.
- BEFORE LIGHTING** smell all around the appliance area for gas. Be sure to smell next to the floor because some gas is heavier than air and will settle on the floor.

WHAT TO DO IF YOU SMELL GAS

- Do not try to light any appliance.
 - Do not touch any electric switch; do not use any phone in your building.
 - Immediately call your gas supplier from a neighbor's phone. Follow the gas supplier's instructions.
 - If you cannot reach your gas supplier, call the fire department.
- Use only your hand to push in or turn the gas control knob. Never use tools. If the knob will not push in or turn by hand, don't try to repair it, call a qualified service technician or gas supplier. Force or attempted repair may result in a fire or explosion.
 - Do not use this appliance if any part has been under water. Immediately call a qualified service technician to inspect the appliance and to replace any part of the control system and any gas control which has been under water.

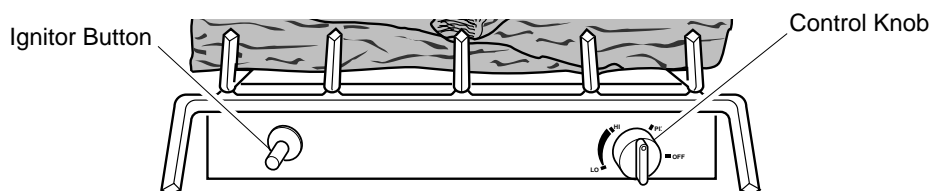


Figure 22 - Control Knob and Ignitor Button Location

LIGHTING INSTRUCTIONS


⚠ WARNING:


- If fireplace has glass doors, never operate this heater with glass doors closed. If you operate heater with doors closed, heat buildup inside fireplace will cause glass to burst. Also if fireplace opening has vents at the bottom, you must open the vents before operating heater.
- You must operate this heater with a fireplace screen in place. Make sure fireplace screen is closed before running heater.

NOTICE: During initial operation of new heater, burning logs will give off a paper-burning smell. Open damper or window to vent smell. This will only last a few hours.

Note: Homeowners generally prefer to operate their heater with the chimney damper closed. This will put all the heat into the room. However there may be times you will desire the full flames of the High heat setting but will find the heat output excessive. You can open the chimney damper (if you have one) fully or partially to release some of the heat.

⚠ WARNING: Damper handle will be hot if heater has been running.

- STOP!** Read the safety information above.
- Make sure manual shutoff valve is fully open.
- Press in and turn control knob clockwise  to the OFF position.

- Wait five (5) minutes to clear out any gas. Then smell for gas, including near the floor. If you smell gas, **STOP!** Follow "B" in the safety information in column 1. If you don't smell gas, go to the next step.
- Slightly depress and turn control knob counterclockwise  to the **PILOT** position. Keep control knob pressed in for five (5) seconds (see Figure 22).


Note: You may be running this heater for the first time after hooking up to gas supply. If so, the control knob may need to be pressed in for 30 seconds. This will allow air to bleed from the gas system.

- If control knob does not pop out when released, contact a qualified service person or gas supplier for repairs.
- With control knob pressed in, press and release ignitor button. This will light pilot. The pilot is attached to the burner. If needed, keep pressing ignitor button until pilot lights.

Note: If pilot does not light, contact a qualified service person or gas supplier for repairs. Until repairs are made, light pilot with match. To light pilot with match, see *Manual Lighting Procedure* on page 16.

- Keep control knob pressed in for 30 seconds after lighting pilot. After 30 seconds, release control knob.

Note: If pilot goes out, repeat steps 3 through 7.

- Slightly depress and turn control knob counterclockwise  to the **HIGH** position. The burner should light. Set control knob to any heat level between **HIGH** and **LO**.

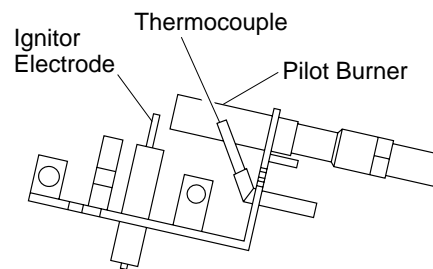


Figure 23 - Pilot

(Note: Appearance of pilot assembly may vary by model.)

Continued

VANGUARD FLAME-MAX[®]

UNVENTED PROPANE/LP GAS LOG HEATER

OPERATING HEATER

Continued

VARIABLE CONTROL OPERATION



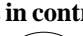
The variable control valve can be set to any heat setting and flame height desired, by simply turning the control knob until that setting is attained. Even the lowest setting provides realistic, dancing yellow flames. Selecting higher settings produces greater heat output. This results in increased heating comfort.

⚠ WARNING: Do not operate heater between PILOT and HIGH positions.



⚠ CAUTION: Do not try to adjust heating levels by using the manual shutoff valve.

TO TURN OFF GAS TO APPLIANCE

Shutting Off Heater

1. Press in and turn control knob clockwise  to the HIGH position.
2. Turn the control knob clockwise  to the PILOT position.
3. Press in control knob and turn clockwise  to the OFF Position.

Shutting Off Burners Only (pilot stays lit)

1. Turn the control knob clockwise  to the HIGH position.
2. Press in and turn control knob clockwise  to the PILOT position.

MANUAL LIGHTING PROCEDURE

1. Follow steps 1 through 5 under *Lighting Instructions*, page 15.
2. Depress control knob and light pilot with match.
3. Keep control knob pressed in for 30 seconds after lighting pilot. After 30 seconds, release control knob. Now follow step 8, page 15.

THERMOSTATICALLY-CONTROLLED MODELS

FOR YOUR SAFETY READ BEFORE LIGHTING

⚠ WARNING: If you do not follow these instructions exactly, a fire or explosion may result causing property damage, personal injury or loss of life.

- A. This appliance has a pilot which must be lighted by hand. When lighting the pilot, follow these instructions exactly.
- B. **BEFORE LIGHTING** smell all around the appliance area for gas. Be sure to smell next to the floor because some gas is heavier than air and will settle on the floor.

WHAT TO DO IF YOU SMELL GAS

- Do not try to light any appliance.
 - Do not touch any electric switch; do not use any phone in your building.
 - Immediately call your gas supplier from a neighbor's phone. Follow the gas supplier's instructions.
 - If you cannot reach your gas supplier, call the fire department.
- C. Use only your hand to push in or turn the gas control knob. Never use tools. If the knob will not push in or turn by hand, don't try to repair it, call a qualified service technician or gas supplier. Force or attempted repair may result in a fire or explosion.
 - D. Do not use this appliance if any part has been under water. Immediately call a qualified service technician to inspect the appliance and to replace any part of the control system and any gas control which has been under water.

LIGHTING INSTRUCTIONS


⚠ WARNING

- If fireplace has glass doors, never operate this heater with glass doors closed. If you operate heater with doors closed, heat buildup inside fireplace will cause glass to burst. Also if fireplace opening has vents at the bottom, you must open the vents before operating heater.
- You must operate this heater with a fireplace screen in place. Make sure fireplace screen is closed before running heater.

NOTICE: During initial operation of new heater, burning logs will give off a paper-burning smell. Orange flame will also be present. Open damper or window to vent smell. This will only last a few hours.

Note: Homeowners generally prefer to operate their heater with the chimney damper closed. This will put all the heat into the room. However there may be times you will desire the full flames of the Hi heat setting but will find the heat output excessive. You can open the chimney damper (if you have one) fully or partially to release some of the heat.

⚠ WARNING: Damper handle will be hot if heater has been running.

1. **STOP!** Read the safety information in column 2.
2. Make sure manual shutoff valve is fully open.
3. Turn control knob clockwise  to the OFF position.

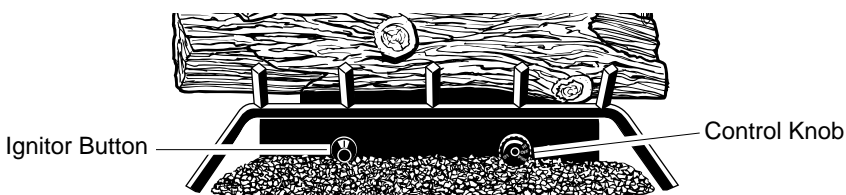



Figure 24 - Control Knob and Ignitor Button Location

OPERATING HEATER

Continued

4. Wait five (5) minutes to clear out any gas. Then smell for gas, including near the floor. If you smell gas, STOP! Follow "B" in the safety information on page 16. If you don't smell gas, go to the next step.

5. Turn control knob counterclockwise  to the PILOT position. Press in control knob for five (5) seconds (see Figure 24, page 16).

Note: You may be running this heater for the first time after hooking up to gas supply. If so, the control knob may need to be pressed in for 30 seconds or less. This will allow air to bleed from the gas system.

- If control knob does not pop out when released, contact a qualified service person or gas supplier for repairs.

6. With control knob pressed in, press and release ignitor button. This will light pilot. The pilot is attached to the front burner. If needed, keep pressing ignitor button until pilot lights.

Note: If pilot does not stay lit, contact a qualified service person or gas supplier for repairs. Until repairs are made, light pilot with match. To light pilot with match, see *Manual Lighting Procedure*.

7. Keep control knob pressed in for 30 seconds after lighting pilot. After 30 seconds, release control knob.

Note: If pilot goes out, repeat steps 3 through 7. This heater has a safety interlock system. Wait one (1) minute for system to reset before lighting pilot again.

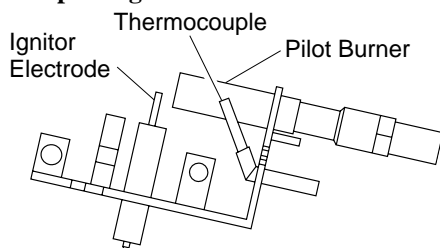




Figure 25 - Pilot
(Note: Appearance of pilot assembly may vary by model.)

8. Turn control knob counterclockwise  to desired heating level. The burners should light. Set control knob to any heat level between HI and LO.


CAUTION: Do not try to adjust heating levels by using the manual shutoff valve.

TO TURN OFF GAS TO APPLIANCE

Shutting Off Heater

Turn control knob clockwise  to the OFF position.

Shutting Off Burners Only (pilot stays lit)

Turn control knob clockwise  to the PILOT position.

THERMOSTAT CONTROL OPERATION

(Thermostat-Controlled Models Only)

The thermostat control knob can be set to any comfort level between Hi and Lo. The thermostat will gradually modulate the heat output and flame height from higher to lower settings, or pilot, in order to maintain the comfort level you select. The ideal comfort setting will vary by household depending upon the amount of space to be heated, the output of the central heating system, etc.

Note: Selecting the Hi setting with the control knob will cause the burner to remain fully on, without modulating down in most cases.

MANUAL LIGHTING PROCEDURE

1. Follow steps 1 through 5 under *Lighting Instructions*, page 16.
2. Depress control knob and light pilot with match.
3. Keep control knob pressed in for 30 seconds after lighting pilot. After 30 seconds, release control knob. Now follow step 8 above.

INSPECTING BURNERS

Check pilot flame pattern and burner flame patterns often.

PILOT FLAME PATTERN

Figure 26 shows a correct pilot flame pattern. Figure 27 shows an incorrect pilot flame pattern. (**Note:** Appearance of pilot assembly may vary by model.) The incorrect pilot flame is not touching the thermocouple. This will cause the thermocouple to cool. When the thermocouple cools, the heater will shut down.

If pilot flame pattern is incorrect, as shown in Figure 27

- turn heater off (see *To Turn Off Gas to Appliance*, manually controlled models, page 16. Thermostatically controlled models, this page, column 2).
- see *Troubleshooting*, pages 18 through 20.

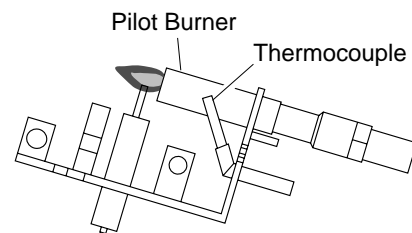


Figure 26 - Correct Pilot Flame Pattern

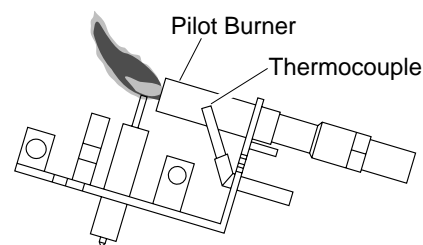


Figure 27 - Incorrect Pilot Flame Pattern

MAIN BURNER

Periodically inspect all burner flame holes with the heater running. All slotted burner flame holes should be open with yellow flame present. All round burner flame holes should be open with a small blue flame present. Some burner flame holes may become blocked by debris or rust, with no flame present. If so, turn off heater and let cool. Either remove blockage or replace burner. Blocked burner flame holes will create soot.

VANGUARD FLAME-MAX®

UNVENTED PROPANE/LP GAS LOG HEATER

TROUBLESHOOTING

Note: All troubleshooting items are listed in order of operation.

⚠ WARNING: Turn off and unplug heater and let cool before servicing. Only a qualified service person should service and repair heater.

⚠ CAUTION: Never use a wire, needle, or similar object to clean ODS/pilot. This can damage ODS/pilot unit.

| OBSERVED PROBLEM | POSSIBLE CAUSE | REMEDY |
|---|--|--|
| When ignitor button is pressed, there is no spark at ODS/pilot | <ol style="list-style-type: none">1. Ignitor electrode not connected to ignitor cable2. Ignitor cable pinched or wet3. Piezo ignitor nut is loose4. Broken ignitor cable5. Bad piezo ignitor6. Ignitor electrode positioned wrong7. Ignitor electrode broken | <ol style="list-style-type: none">1. Reconnect ignitor cable2. Free ignitor cable if pinched by any metal or tubing. Keep ignitor cable dry3. Tighten nut holding piezo ignitor to base panel of log set. Nut is located behind base panel.4. Replace ignitor cable5. Replace piezo ignitor6. Replace ignitor7. Replace ignitor |
| When ignitor button is pressed, there is spark at ODS/pilot but no ignition | <ol style="list-style-type: none">1. Gas supply turned off or manual shutoff valve closed2. Control knob not in PILOT position3. Control knob not pressed in while in PILOT position4. Air in gas lines when installed5. Depleted gas supply6. ODS/pilot is clogged7. Gas regulator setting is not correct | <ol style="list-style-type: none">1. Turn on gas supply or open manual shutoff valve2. Turn control knob to PILOT position3. Press in control knob while in PILOT position4. Continue holding down control knob. Repeat igniting operation until air is removed5. Contact local propane gas company6. Clean ODS/pilot (see <i>Cleaning and Maintenance</i>, page 23) or replace ODS/pilot assembly7. Replace gas regulator |
| ODS/pilot lights but flame goes out when control knob is released | <ol style="list-style-type: none">1. Control knob not fully pressed in2. Control knob not pressed in long enough3. Safety interlock system has been triggered4. Manual shutoff valve not fully open5. Pilot flame not touching thermocouple, which allows thermocouple to cool, causing pilot flame to go out. This problem could be caused by one or both of the following:<ol style="list-style-type: none">A) Low gas pressureB) Dirty or partially clogged ODS/pilot6. Thermocouple connection loose at control valve7. Thermocouple damaged8. Control valve damaged | <ol style="list-style-type: none">1. Press in control knob fully2. After ODS/pilot lights, keep control knob pressed in 30 seconds3. Wait one minute for safety interlock system to reset. Repeat ignition operation4. Fully open manual shut-off valve5. A) Contact local propane gas company B) Clean ODS/pilot (see <i>Cleaning and Maintenance</i>, page 23) or replace ODS/pilot assembly6. Hand tighten until snug, then tighten 1/4 turn more7. Replace thermocouple8. Replace control valve |

OWNER'S MANUAL

TROUBLESHOOTING

Continued

| OBSERVED PROBLEM | POSSIBLE CAUSE | REMEDY |
|--|---|--|
| Burner does not light after ODS/pilot is lit | <ol style="list-style-type: none">1. Inlet gas pressure is too low2. Burner orifice clogged3. Burner orifice diameter is too small | <ol style="list-style-type: none">1. Contact local natural gas company2. Clean burner (see <i>Cleaning and Maintenance</i>, page 23) or replace burner orifice3. Replace burner orifice |
| Delayed ignition burner | <ol style="list-style-type: none">1. Manifold pressure is too low2. Burner orifice clogged | <ol style="list-style-type: none">1. Contact local propane/LP gas company2. Clean burner (see <i>Cleaning and Maintenance</i>, page 23) or replace burner orifice |
| Burner backfiring during combustion | <ol style="list-style-type: none">1. Burner orifice is clogged or damaged2. Damaged burner3. Gas regulator defective | <ol style="list-style-type: none">1. Clean burner (see <i>Cleaning and Maintenance</i>, page 23) or replace burner orifice2. Replace damaged burner3. Replace gas regulator |
| Slight smoke or odor during initial operation | <ol style="list-style-type: none">1. Not enough air2. Gas regulator defective3. Residues from manufacturing processes and logs curing | <ol style="list-style-type: none">1. Check burner for dirt and debris. If found, clean burner (see <i>Cleaning and Maintenance</i>, page 23)2. Replace gas regulator3. Problem will stop after a few hours of operation |
| Heater produces a whistling noise when burner is lit | <ol style="list-style-type: none">1. Turning control knob to HI position when burner is cold2. Air in gas line3. Air passageways on heater blocked4. Dirty or partially clogged burner orifice | <ol style="list-style-type: none">1. Turn control knob to LO position and let warm up for a minute2. Operate burner until air is removed from line. Have gas line checked by local natural gas company3. Observe minimum installation clearances (see pages 7 through 9)4. Clean burners (see <i>Cleaning and Maintenance</i>, page 23) or replace burner orifice |
| Moisture/condensation noticed on windows | <ol style="list-style-type: none">1. Not enough combustion/ventilation air | <ol style="list-style-type: none">1. Refer to <i>Air for Combustion and Ventilation</i> requirements (pages 4 through 6) |
| Dark residue on logs or inside of fireplace | <ol style="list-style-type: none">1. Improper log placement2. Drafts or other air currents affecting flame pattern3. Air holes at burner inlet blocked4. Burner flame holes blocked | <ol style="list-style-type: none">1. Properly locate logs (see <i>Installing Logs</i>, page 14)2. Eliminate source of drafts around heater3. Clean out air holes at burner inlet. Periodically repeat as needed4. Remove blockage or replace burner |

Continued

VANGUARD FLAME-MAX®

UNVENTED PROPANE/LP GAS LOG HEATER

TROUBLESHOOTING

Continued

- ⚠ WARNING: If you smell gas**
- **Shut off gas supply.**
 - **Do not try to light any appliance.**
 - **Do not touch any electrical switch; do not use any phone in your building.**
 - **Immediately call your gas supplier from a neighbor's phone. Follow the gas supplier's instructions.**
 - **If you cannot reach your gas supplier, call the fire department.**

IMPORTANT: Operating heater where impurities in air exist may create odors. Cleaning supplies, paint, paint remover, cigarette smoke, cements and glues, new carpet or textiles, etc., create fumes. These fumes may mix with combustion air and create odors. These odors will disappear over time.

| OBSERVED PROBLEM | POSSIBLE CAUSE | REMEDY |
|---|--|--|
| Heater produces a clicking/ticking noise just after burner is lit or shut off | 1. Metal expanding while heating or contracting while cooling | 1. This is common with most heaters. If noise is excessive, contact qualified service person |
| Heater produces unwanted odors | 1. Heater burning vapors from paint, hair spray, glues, cleaners, chemicals, new carpet, etc. (see <i>IMPORTANT</i> statement above) 2. Gas leak. See Warning statement at top of page | 1. Open window and ventilate room. Stop using odor causing products while heater is running 2. Locate and correct all leaks (see <i>Checking Gas Connections</i> , page 13) |
| Heater shuts off in use (ODS operates) | 1. Not enough fresh air is available 2. Low line pressure 3. ODS/pilot is partially clogged | 1. Open window and/or door for ventilation 2. Contact local natural gas company 3. Clean ODS/pilot (see <i>Cleaning and Maintenance</i> , page 23) |
| Gas odor even when control knob is in OFF position | 1. Gas leak. See Warning statement at top of page 2. Control valve defective | 1. Locate and correct all leaks (see <i>Checking Gas Connections</i> , page 13) 2. Replace control valve |
| Gas odor during combustion | 1. Foreign matter between control valve and burner 2. Gas leak. See Warning statement at top of page | 1. Take apart gas tubing and remove foreign matter 2. Locate and correct all leaks (see <i>Checking Gas Connections</i> , page 13) |

OPTIONAL POSITIONING OF THERMOSTAT SENSING BULB

FOR MASONRY AND FACTORY-BUILT METAL FIREPLACE

If your log set cycles to pilot, but the room temperature drops to a lower than ideal comfort level before the log set comes back on, you may want to reposition the thermostat sensing bulb.

The thermostat sensing bulb is located near the gas valve assembly on the mounting bracket. This location allows the thermostat to keep the room temperature at an ideal comfort level for most fireplace applications. For positioning the thermostat sensing bulb elsewhere, an adhesive-backed mounting clip has been provided.

Tools needed: 1/4" hex driver or socket

1. Remove logs. Locate the gas valve assembly and thermostat sensing bulb (see Figure 28).
2. The adhesive-backed mounting clip (see Figure 29) is attached to the thermostat sensing bulb. Remove the adhesive-backed mounting clip.
3. With 1/4" hex driver or socket, loosen the thermostat screw. Carefully slide the thermostat sensing bulb out of the retaining clamp (see Figure 30).

Note: Do not remove the screw. Make sure you tighten the screw after removing the thermostat sensing bulb.

IMPORTANT: Do not force or bend the thermostat sensing bulb or capillary.

4. The thermostat sensing bulb may be located to the lower right front side of fireplace. Determine location of sensing bulb, but do not mount sensing bulb until step 5. If you have a masonry fireplace, see Figure 31 for location. If you have a factory-built metal fireplace, see Figure 32 for location. If your fireplace has glass doors, position sensing bulb directly behind door gap on right bottom side (see Figure 33).

5. The mounting clip must be a minimum of 3" from bottom of fireplace to prevent crimping of capillary. Once you have decided on a location, clean the area thoroughly. Remove the paper backing from the adhesive on back of mounting clip. Press the clip into the new location so that the thermostat sensing bulb will be positioned vertically with the capillary at the bottom (see Figure 34). Slide the thermostat sensing bulb into the clip.

IMPORTANT: Do not crimp capillary.

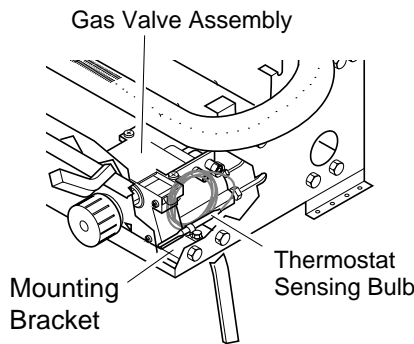


Figure 28 - Location of Gas Valve Assembly and Thermostat Sensing Bulb

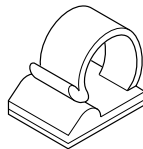


Figure 29 - Adhesive-backed Mounting Clip

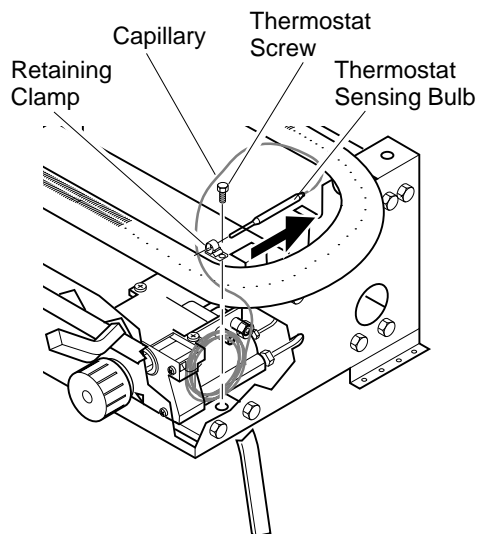


Figure 30 - Removing Thermostat Sensing Bulb

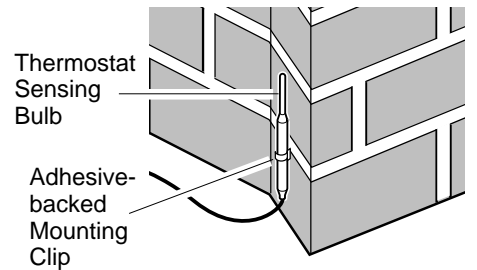


Figure 31 - Locating Thermostat Sensing Bulb on Masonry Fireplace

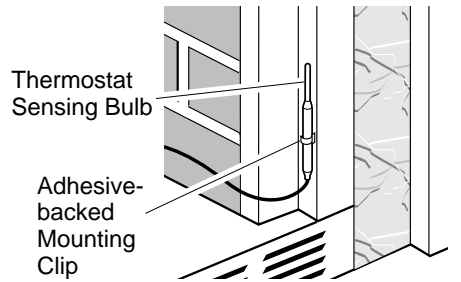


Figure 32 - Locating Thermostat Sensing Bulb on Factory-built Metal Fireplace

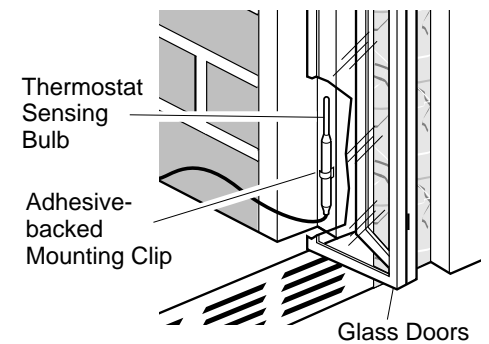


Figure 33 - Installing Thermostat Sensing Bulb behind Glass Doors

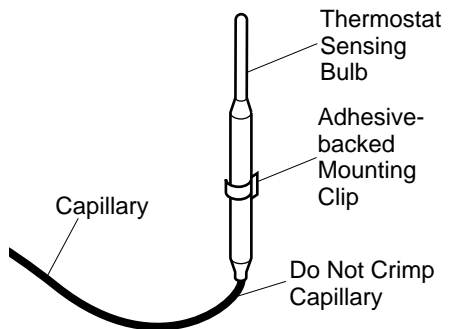


Figure 34 - Positioning the Thermostat Sensing Bulb in the Vertical Position with the Capillary at the Bottom

VANGUARD FLAME-MAX®

UNVENTED PROPANE/LP GAS LOG HEATER

SPECIFICATIONS

| | Vintage Oak 18" Variable Manually Controlled | Vintage Oak 24" Variable Manually Controlled | Golden Oak and Birch 18" Variable Manually Controlled |
|-----------------------------------|---|---|--|
| Btu (Variable) | 16,000/27,000 | 16,000/31,500 | 16,000/30,000 |
| Type Gas | Propane Only | Propane Only | Propane Only |
| Ignition | Piezo | Piezo | Piezo |
| Pressure Manifold | 8.0" W.C. | 8.0" W.C. | 8.0" W.C. |
| Inlet Gas Pressure (in. of water) | | | |
| Maximum | 14" | 14" | 14" |
| Minimum* | 11" | 11" | 11" |
| Shipping Weight | 36 lbs. | 38 lbs. | 26 lbs. |

| | Golden Oak and Birch 24", 30", and 36" Variable Manually Controlled | Golden Oak 18" Thermostat Controlled | Golden Oak 24" and 30" Thermostat Controlled |
|-----------------------------------|--|---|---|
| Btu (Variable) | 20,000/39,000 | 16,000/30,000 | 20,000/39,000 |
| Type Gas | Propane Only | Propane Only | Propane Only |
| Ignition | Piezo | Piezo | Piezo |
| Pressure Manifold | 8.0" W.C. | 8.0" W.C. | 8.0" W.C. |
| Inlet Gas Pressure (in. of water) | | | |
| Maximum | 14" | 14" | 14" |
| Minimum* | 11" | 11" | 11" |
| Shipping Weight | 28 lbs. (24")/30 lbs. (30") 32 lbs. (36") | 26 lbs. | 28 lbs. (24")/30 lbs. (30") |

* For input adjustment

CLEANING AND MAINTENANCE

⚠ WARNING: Turn off heater and let cool before cleaning.

⚠ CAUTION: You must keep control areas, burner, and circulating air passageways of heater clean. Inspect these areas of heater before each use. Have heater inspected yearly by a qualified service person. Heater may need more frequent cleaning due to excessive lint from carpeting, pet hair, etc.

ODS/PILOT AND BURNER

- Use a vacuum cleaner or small, soft bristled brush to clean.

LOGS

- If you remove logs for cleaning, refer to *Installing Logs*, page 14, to properly replace logs.
- Replace log(s) if broken or chipped (dime-sized or larger).

BURNER PRIMARY AIR HOLES

Air is drawn into the burner through the 8 holes in the brass fitting at the burner entrance. These holes may become blocked with dust or lint. Periodically inspect these holes for any blockage and clean if needed. Blocked air holes will create soot.

MAIN BURNER

Periodically inspect all burner flame holes with the heater running. All slotted burner flame holes should be open with yellow flame present. All round burner flame holes should be open with a small blue flame present. Some burner flame holes may become blocked by debris or rust, with no flame present. If so, turn off heater and let cool. Either remove blockage or replace burner. Blocked burner flame holes will create soot.

REPLACEMENT PARTS

Note: Use only original replacement parts. This will protect your warranty coverage for parts replaced under warranty.

Parts Under Warranty

Contact authorized dealers of this product. If they can't supply original replacement part(s), call DESA International's Technical Service Department at 1-800-323-5190. When calling DESA International, have ready

- your name and address
- model number of your heater
- how heater was malfunctioning
- type of gas used (propane or natural gas)
- purchase date

Usually, we will ask you to return the defective part to the factory.

Parts Not Under Warranty

Contact authorized dealers of this product. If they can't supply original replacement part(s), call DESA International's Parts Department at 1-800-972-7879 for referral information. When calling DESA International, have ready

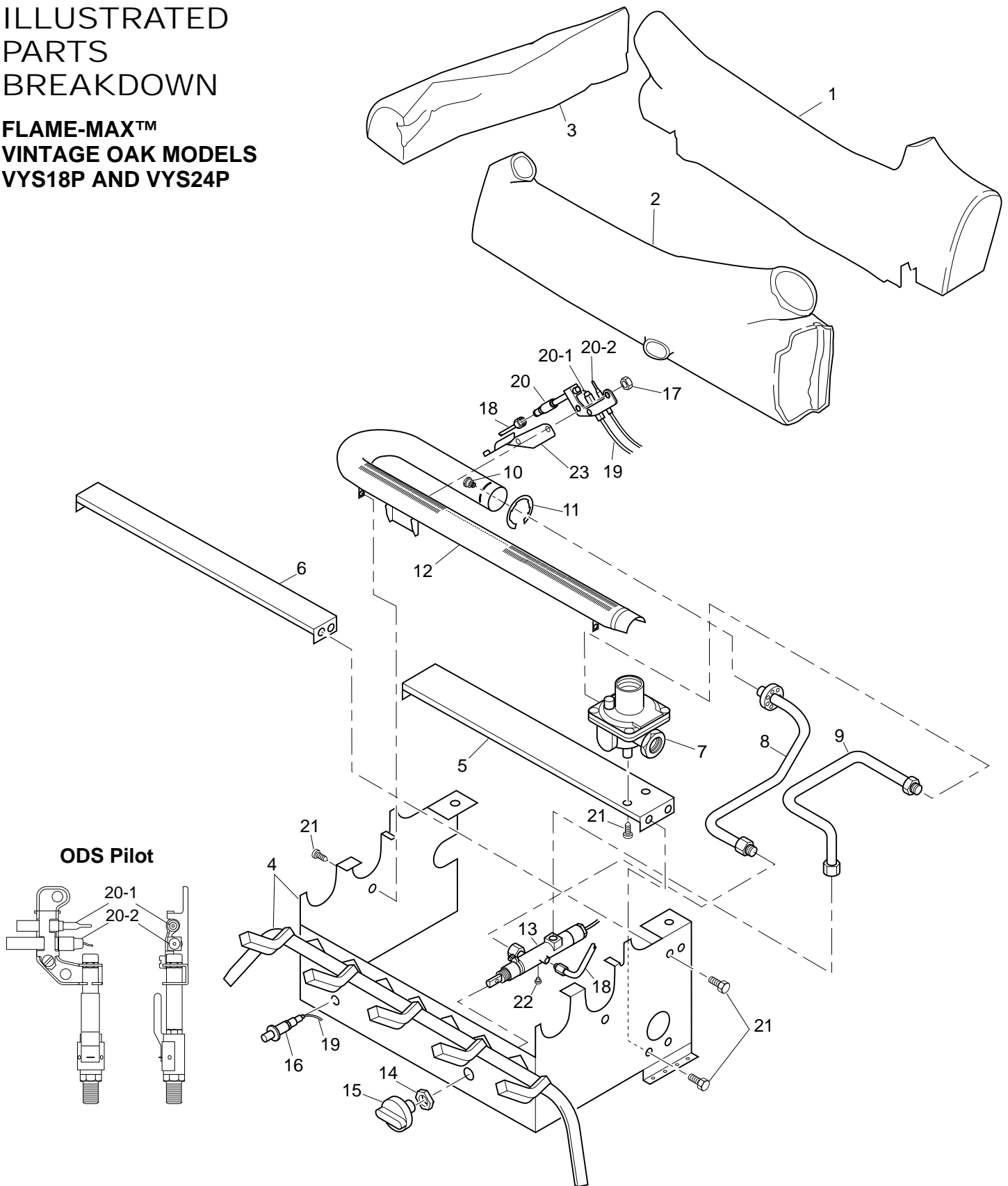
- model number of your heater
- the replacement part number

VANGUARD FLAME-MAX[®]

UNVENTED PROPANE/LP GAS LOG HEATER

ILLUSTRATED PARTS BREAKDOWN

**FLAME-MAX™
VINTAGE OAK MODELS
VYS18P AND VYS24P**



OWNER'S MANUAL

PARTS LIST

This list contains replaceable parts used in your heater. When ordering parts, follow the instructions listed under *Replacement Parts* on page 23 of this manual.

VYS18P VYS24P

| KEY NO. | PART NUMBER FOR | | DESCRIPTION | QTY. |
|------------------------------------|-----------------|-------------|-------------------------------|------|
| | VYS18P | VYS24P | | |
| 1 | 102968-01 | 102968-02 | Back Log (#1) | 1 |
| 2 | 102969-01 | 102969-02 | Front Log (#2) | 1 |
| 3 | 102970-01 | 102970-02 | Crossover Log (#3) | 1 |
| 4 | 102775-02CK | 102775-01CK | Painted Base Assembly | 1 |
| 5 | 102844-01 | 102844-01 | Lower Bracket | 1 |
| 6 | 102966-01 | 102966-01 | Upper Bracket | 1 |
| 7 | 098867-10 | 098867-10 | Gas Regulator | 1 |
| 8 | 102780-03 | 102780-03 | Outlet Burner Tube | 1 |
| 9 | 102798-01 | 102798-01 | Inlet Tube | 1 |
| 10 | 099056-21 | 099056-19 | Burner Orifice Injector | 1 |
| 11 | 102843-01 | 102843-01 | Burner Clip | 1 |
| 12 | 102963-01 | 102773-01 | Burner | 1 |
| 13 | 102568-08 | 102568-08 | Control Valve | 1 |
| 14 | 098508-01 | 098508-01 | Valve Retainer Nut | 1 |
| 15 | 098354-01 | 098354-01 | Control Knob | 1 |
| 16 | 102445-01 | 102445-01 | Piezo Ignitor | 1 |
| 17 | 098249-01 | 098249-01 | Nut, M5 | 2 |
| 18 | 099387-08 | 099387-08 | Pilot Tube | 1 |
| 19 | 098271-07 | 098271-07 | Ignitor Cable | 1 |
| 20 | 099059-02 | 099059-02 | ODS Pilot | 1 |
| 20-1 | 098594-01 | 098594-01 | Ignitor Electrode | 1 |
| 20-2 | 098593-01 | 098593-01 | Thermocouple | 1 |
| 21 | M11084-38 | M11084-38 | Screw, Hex Head (#8-18 x .38) | 11 |
| 22 | 098276-01 | 098276-01 | Hex Head Plug, 1/8" NPT | 1 |
| 23 | 099553-01 | 099553-01 | Pilot Shield | 1 |
| PARTS AVAILABLE — NOT SHOWN | | | | |
| | 100563-01 | 100563-01 | Warning Plate | 1 |
| | 101055-02 | 101055-02 | Lighting Instructions Plate | 1 |
| | 100565-01 | 100565-01 | Warning Plate Fastener | 1 |
| | 100639-01 | 100639-01 | Caution Decal | 1 |
| | 101449-04 | 101449-04 | Control Position Decal | 1 |
| | 101137-02 | 101137-02 | Hardware Kit | 1 |
| | 104310-01 | 104310-01 | Information Video | 1 |
| | GA6060 | GA6060 | Lava Rock | 1 |

OWNER'S MANUAL

PARTS LIST

This list contains replaceable parts used in your heater. When ordering parts, follow the instructions listed under *Replacement Parts* on page 23 of this manual.

VYD18P, VYBD18P
VYD24P, VYBD24P
VYD30P, VYBD30P
VYD36P

| KEY NO. | PART NUMBER FOR | | | | | | | DESCRIPTION | QTY. |
|------------------------------------|-----------------|-------------|-------------|-------------|-------------|-------------|-------------|----------------------------------|------|
| | VYD18P | VYBD18P | VYD24P | VYBD24P | VYD30P | VYBD30P | VYD36P | | |
| 1A | 103517-01 | – | 102785-01 | – | 103519-01 | – | 104254-01 | Log, Golden Oak | 1 |
| 1B | – | 103520-01 | – | 103336-01 | – | 103522-01 | – | Log, Birch | 1 |
| 2 | 098276-01 | 098276-01 | 098276-01 | 098276-01 | 098276-01 | 098276-01 | 098276-01 | Hex Head Plug 1/8" NPT | 1 |
| 3 | 098249-01 | 098249-01 | 098249-01 | 098249-01 | 098249-01 | 098249-01 | 098249-01 | Nut, M5 | 2 |
| 4 | 102775-04CK | 102775-04CK | 102775-01CK | 102775-01CK | 102775-03CK | 102775-03CK | 102775-03CK | Painted Base Assembly | 1 |
| 5 | 102844-02 | 102844-02 | 102844-01 | 102844-01 | 102844-01 | 102844-01 | 102844-01 | Lower Bracket | 1 |
| 6 | 102966-02 | 102966-02 | 102966-01 | 102966-01 | 102966-01 | 102966-01 | 102966-01 | Upper Bracket | 1 |
| 7 | 098867-10 | 098867-10 | 098867-10 | 098867-10 | 098867-10 | 098867-10 | 098867-10 | Gas Regulator | 1 |
| 8 | 102798-01 | 102798-01 | 102798-01 | 102798-01 | 102798-01 | 102798-01 | 102798-01 | Inlet Tube | 1 |
| 9 | 102779-04 | 102779-04 | 102779-02 | 102779-02 | 102779-02 | 102779-02 | 102779-02 | Outlet Burner Tube | 1 |
| 10 | 099056-19 | 099056-19 | 099056-17 | 099056-17 | 099056-17 | 099056-17 | 099056-17 | Burner Orifice Injector | 1 |
| 11 | 102843-01 | 102843-01 | 102843-01 | 102843-01 | 102843-01 | 102843-01 | 102843-01 | Burner Clip | 1 |
| 12 | 102980-01 | 102980-01 | 102772-01 | 102772-01 | 102772-01 | 102772-01 | 102772-01 | Burner | 1 |
| 13 | 102568-08 | 102568-08 | 102568-06 | 102568-06 | 102568-06 | 102568-06 | 102568-06 | Control Valve | 1 |
| 14 | 098508-01 | 098508-01 | 098508-01 | 098508-01 | 098508-01 | 098508-01 | 098508-01 | Valve Retainer Nut | 1 |
| 15 | 098354-01 | 098354-01 | 098354-01 | 098354-01 | 098354-01 | 098354-01 | 098354-01 | Control Knob | 1 |
| 16 | 102445-01 | 102445-01 | 102445-01 | 102445-01 | 102445-01 | 102445-01 | 102445-01 | Piezo Ignitor | 1 |
| 17 | 099387-08 | 099387-08 | 099387-08 | 099387-08 | 099387-08 | 099387-08 | 099387-08 | Pilot Tube | 1 |
| 18 | 098271-07 | 098271-07 | 098271-07 | 098271-07 | 098271-07 | 098271-07 | 098271-07 | Ignitor Cable | 1 |
| 19 | 104286-01 | 104286-01 | 104286-01 | 104286-01 | 104286-01 | 104286-01 | 104286-01 | ODS Pilot | 1 |
| 20 | M11084-38 | M11084-38 | M11084-38 | M11084-38 | M11084-38 | M11084-38 | M11084-38 | Screw, Hex Head (#8-18 x .38) | 11 |
| PARTS AVAILABLE — NOT SHOWN | | | | | | | | | |
| | 100563-01 | 100563-01 | 100563-01 | 100563-01 | 100563-01 | 100563-01 | 100563-01 | Warning Plate | 1 |
| | 101055-02 | 101055-02 | 101055-02 | 101055-02 | 101055-02 | 101055-02 | 101055-02 | Lighting Instructions Plate | 1 |
| | 100565-01 | 100565-01 | 100565-01 | 100565-01 | 100565-01 | 100565-01 | 100565-01 | Warning Plate Fastener | 1 |
| | 100639-01 | 100639-01 | 100639-01 | 100639-01 | 100639-01 | 100639-01 | 100639-01 | Caution Decal | 1 |
| | 101449-04 | 101449-04 | 101449-04 | 101449-04 | 101449-04 | 101449-04 | 101449-04 | Control Position Decal | 1 |
| | 101137-02 | 101137-02 | 101137-02 | 101137-02 | 101137-02 | 101137-02 | 101137-02 | Hardware Kit | 1 |
| | 104310-01 | 104310-01 | 104310-01 | 104310-01 | 104310-01 | 104310-01 | 104310-01 | Information Video | 1 |
| | GA6060 | GA6060 | GA6060 | GA6060 | GA6060 | GA6060 | GA6060 | Lava Rock | 1 |

OWNER'S MANUAL

PARTS LIST

This list contains replaceable parts used in your heater. When ordering parts, follow the instructions listed under *Replacement Parts* on page 23 of this manual.

VYD18PT
VYD24PT
VYD30PT

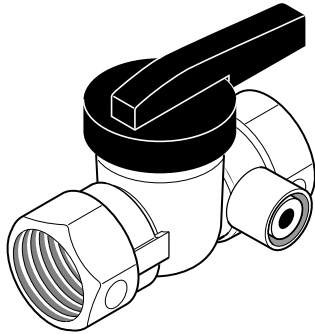
| KEY NO. | VYD18PT PART NUMBER | VYD24PT PART NUMBER | VYD30PT PART NUMBER | DESCRIPTION | QTY. |
|------------------------------------|---------------------|---------------------|---------------------|-------------------------------|------|
| 1 | 103517-01 | 102785-01 | 103519-01 | Log Set, Yellow Flame, Dual | 1 |
| 2 | 104033-03 | — | — | Baffle, Rear | 1 |
| 3 | 102775-09CK | 102775-05CK | 102775-07CK | Painted Base Assembly | 1 |
| 4 | 102844-02 | 102844-01 | 102844-01 | Lower Bracket | 1 |
| 5 | 102966-02 | 102966-01 | 102966-01 | Upper Bracket | 1 |
| 6 | 098867-10 | 098867-10 | 098867-10 | Gas Regulator | 1 |
| 7 | 102981-01 | 102981-01 | 102981-01 | Inlet Tube | 1 |
| 8 | 102983-03 | 102983-02 | 102983-02 | Outlet Burner Tube | 1 |
| 9 | 099056-26 | 099056-17 | 099056-17 | Burner Orifice Injector | 1 |
| 10 | 102843-01 | 102843-01 | 102843-01 | Burner Clip | 1 |
| 11 | 102980-01 | 102772-01 | 102772-01 | Burner | 1 |
| 12 | 101329-22 | 101329-19 | 101329-19 | Thermostat Gas Valve Assembly | 1 |
| 13 | 102979-02 | 102979-01 | 102979-01 | Thermostat Bracket | 1 |
| 14 | 098544-01 | 098544-01 | 098544-01 | Thermobulb Clip | 1 |
| 15 | 102445-01 | 102445-01 | 102445-01 | Piezo Ignitor | 1 |
| 16 | 099387-09 | 099387-09 | 099387-09 | Pilot Tube | 1 |
| 17 | 098271-07 | 098271-07 | 098271-07 | Ignitor Cable | 1 |
| 18 | 104286-01 | 104286-01 | 104286-01 | ODS Pilot | 1 |
| 19 | M11088-38 | M11084-38 | M11084-38 | Hex Screw, #8-18 x .38 | 15 |
| 20 | 098249-01 | 098249-01 | 098249-01 | Nut, M5 | 2 |
| 21 | 099211-01 | 099211-01 | 099211-01 | Hex Screw, 10-16 x 2.50 | 2 |
| PARTS AVAILABLE — NOT SHOWN | | | | | |
| | 100563-01 | 100563-01 | 100563-01 | Warning Plate | 1 |
| | 101054-01 | 101054-01 | 101054-01 | Lighting Instructions Plate | 1 |
| | 100565-01 | 100565-01 | 100565-01 | Warning Plate Fastener | 1 |
| | 100639-01 | 100639-01 | 100639-01 | Caution Decal | 1 |
| | 101137-02 | 101137-02 | 101137-02 | Hardware Kit | 1 |
| | 104310-01 | 104310-01 | 104310-01 | Information Video | 1 |
| | GA6060 | GA6060 | GA6060 | Lava Rock | 1 |

VANGUARD FLAME-MAX®

UNVENTED PROPANE/LP GAS LOG HEATER

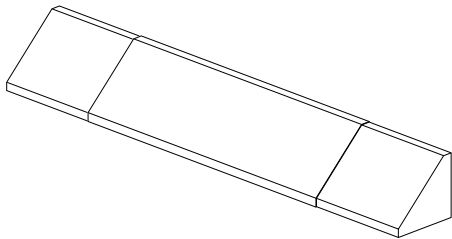
ACCESSORIES

Purchase these heater accessories from your local dealer. If they can not supply these accessories, call DESA International's Parts Department at 1-800-972-7879 for referral information. You can also write to the address listed on the back page of this manual.



MANUAL SHUTOFF VALVE - GA5010

For all models. Manual shutoff valve with 1/8" NPT tap. Fits 1/2" NPT pipe.



FIREPLACE HOODS:

BLACK - GA6050

For all models. Helps deflect heat away from mantel or wall above fireplace. Fits openings 28" to 48" wide.

BRASS - GA6052

For all models. Helps deflect heat away from mantel or wall above fireplace. Fits openings 28" to 48" wide.

ANTIQUE BRASS - GA6053

For all models. Helps deflect heat away from mantel or wall above fireplace. Fits openings 28" to 48" wide.

DAMPER CLAMP - GA6080 (Not Shown)

For manually controlled models. Permanently opens chimney flue damper for vented operation.

LAVA ROCK - GA6060 (Not Shown)

For all models. Order when additional rock is desired. (3 lb. bag)

SERVICE HINTS

When gas pressure is too low

- pilot will not stay lit
- burners will have delayed ignition
- heater will not produce specified heat
- propane/LP gas supply may be low

When gas quality is bad

- pilot will not stay lit
- burners will produce flames and soot
- heater will backfire when lit

You may feel your gas pressure is too low or gas quality is bad. If so, contact your local propane/LP gas supplier.

TECHNICAL SERVICE

You may have further questions about installation, operation, or troubleshooting.

If so, contact DESA International's Technical Service Department at 1-800-DESA LOG (1-800-337-2564).

WARRANTY INFORMATION

KEEP THIS WARRANTY

| |
|----------------------|
| Model _____ |
| Serial No. _____ |
| Date Purchased _____ |

Always specify model and serial numbers when communicating with the factory.

We reserve the right to amend these specifications at any time without notice. The only warranty applicable is our standard written warranty. We make no other warranty, expressed or implied.

LIMITED WARRANTY VENT-FREE PROPANE GAS LOG HEATERS

DESA International warrants this product to be free from defects in materials and components for three (3) years from the date of first purchase, provided that the product has been properly installed, operated and maintained in accordance with all applicable instructions. To make a claim under this warranty the Bill of Sale or cancelled check must be presented.

This warranty is extended only to the original retail purchaser. This warranty covers the cost of part(s) required to restore this heater to proper operating condition and an allowance for labor when provided by a DESA Authorized Service Center. Warranty part(s) MUST be obtained through authorized dealers of this product and/or DESA International who will provide original factory replacement parts. Failure to use original factory replacement parts voids this warranty. The heater MUST be installed by a qualified installer in accordance with all local codes and instructions furnished with the unit.

This warranty does not apply to parts that are not in original condition because of normal wear and tear, or parts that fail or become damaged as a result of misuse, accidents, lack of proper maintenance or defects caused by improper installation. Travel, diagnostic cost, labor, transportation and any and all such other costs related to repairing a defective heater will be the responsibility of the owner.

TO THE FULL EXTENT ALLOWED BY THE LAW OF THE JURISDICTION THAT GOVERNS THE SALE OF THE PRODUCT; THIS EXPRESS WARRANTY EXCLUDES ANY AND ALL OTHER EXPRESSED WARRANTIES AND LIMITS THE DURATION OF ANY AND ALL IMPLIED WARRANTIES, INCLUDING WARRANTIES OF MERCHANTABILITY AND FITNESS FOR A PARTICULAR PURPOSE TO THREE (3) YEARS ON ALL COMPONENTS FROM THE DATE OF FIRST PURCHASE; AND DESA INTERNATIONAL'S LIABILITY IS HEREBY LIMITED TO THE PURCHASE PRICE OF THE PRODUCT AND DESA INTERNATIONAL SHALL NOT BE LIABLE FOR ANY OTHER DAMAGES WHATSOEVER INCLUDING INDIRECT, INCIDENTAL OR CONSEQUENTIAL DAMAGES.

Some states do not allow a limitation on how long an implied warranty lasts or an exclusion or limitation of incidental or consequential damages, so the above limitation on implied warranties, or exclusion or limitation on damages may not apply to you.

This warranty gives you specific legal rights, and you may also have other rights that vary from state to state.

For information about this warranty write:

DESA
INTERNATIONAL

2701 Industrial Drive
P.O. Box 90004
Bowling Green, KY 42102-9004



104343 01

NOT A UPC

104343-01
Rev. C
06/98