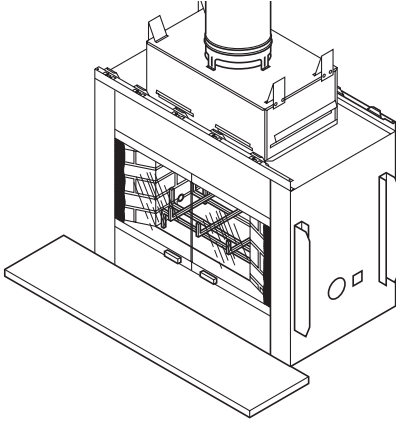


VEXAR

by  STYLECREST

36" SEE THROUGH SMOOTH FACE WOOD BURNING FIREPLACE OWNER'S INSTALLATION MANUAL



**368STM with Brushed
Brass Finish Doors**
**368STM-1 with
Platinum Finish Doors**
Includes Combustion Air Kit
and Bi-Fold Doors



SAVE THIS BOOK

This book is valuable. In addition to instructing you on how to install and maintain your appliance, it also contains information that will enable you to obtain replacement parts or accessory items when needed. Keep it with your other important papers.

This fireplace is approved for use as a wood burning fireplace or for use with a vented gas log approved to ANS Z21.60 or Z21.84 standards or for use with a vent-free gas log heater approved to ANS Z21.11.2 standard. A vent-free log can only be installed in an aftermarket (completion of sale, not for purpose of resale from the manufacturer), permanently located, manufactured (mobile) home, where not prohibited by local codes. A hood must be installed when using a vent-free gas log heater (see Accessories, page 14).

This firebox meets the construction and safety standards of H.U.D. for application in mobile homes when installed according to these instructions.

INSTALLER: Leave this manual with the appliance.
CONSUMER: Retain this manual for future reference.

TABLE OF CONTENTS

Safety	2	Operation and Maintenance	13
Specifications	3	Accessories	14
Fireplace Installation.....	3	Replacement Parts.....	16
Venting Installation	6	Technical Service.....	16
Optional Gas Line Installation.....	12		

SAFETY

⚠ WARNING: Improper installation, adjustment, alteration, service or maintenance can cause injury, property damage or loss of life. Refer to this manual for assistance or additional information. Consult a qualified installer or local distributor.

IMPORTANT: Check HUD requirements before installing this fireplace.

Model 368STM is specifically designed for use in manufactured mobile homes. This fireplace includes a manual control fan system, combustion air kit and bi-fold doors.

Before beginning installation of fireplace, read these instructions through completely.

- This Style Crest, Inc. fireplace and its components are safe when installed according to this installation manual. Unless you use Style Crest, Inc. components, which have been designed and tested for fireplace system, you may cause a fire hazard.
- The Style Crest, Inc. warranty will be voided by and Style Crest, Inc. disclaims any responsibility for the following actions.
 - a. Modification of fireplace, components, doors, blower, fans, air inlet system and damper control.
 - b. Use of any component part not manufactured or approved by Style Crest, Inc. in combination with a Style Crest, Inc. fireplace system.

Proper installation is the most important step in ensuring safe and continuous operation of fireplace. Consult local building codes as to the particular requirements concerned with installation of all factory built fireplaces. Although grounding may not be required by code, the manufacturer recommends it.

⚠ CAUTION: The structural integrity of the mobile home floor and ceiling/roof must be maintained.

⚠ WARNING: Do not install a fireplace insert in this box unless the manufacturer's instructions with the insert specifically state this fireplace has been tested for use with the insert.

FOR YOUR SAFETY

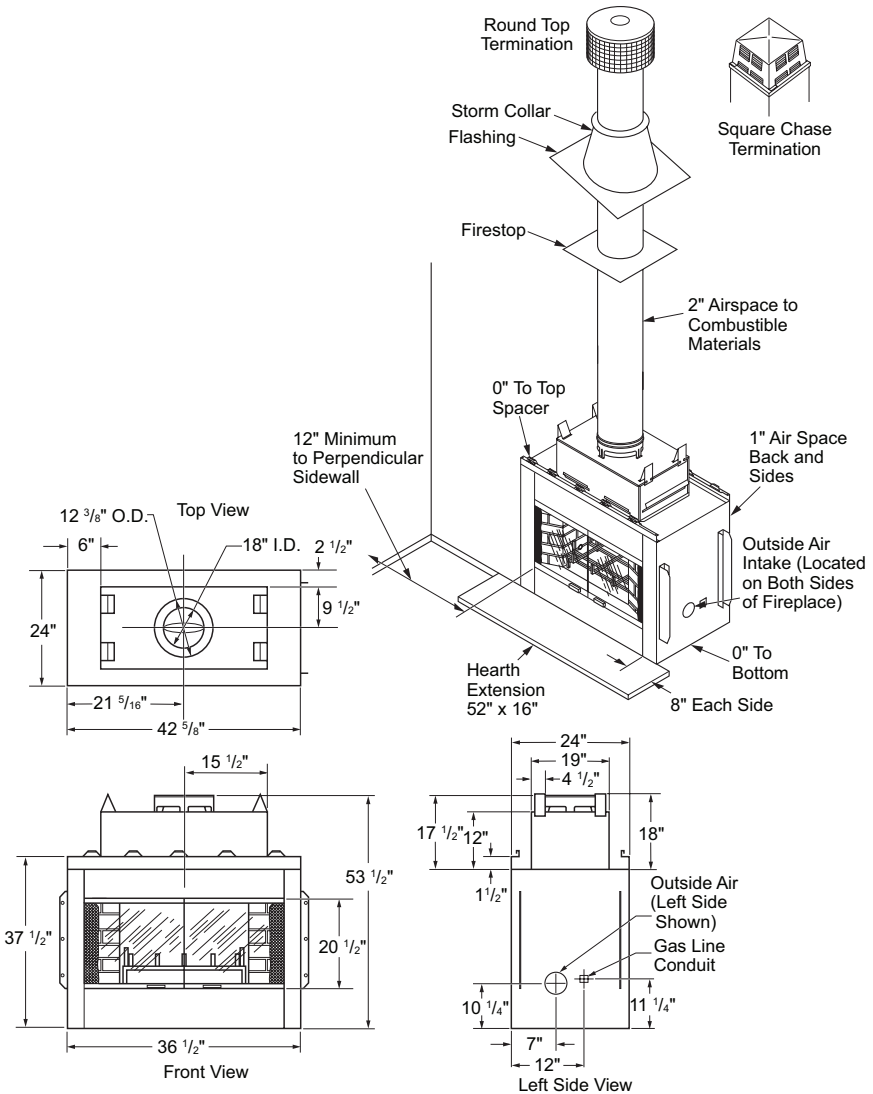
- Do not store or use gasoline or any other flammable vapors or liquids in the vicinity of this or any other appliance.
- Due to high temperatures, the appliance should be located out of traffic and away from furniture and draperies.
- Do not place clothing or other flammable materials on or near the appliance.
- Never leave children unattended when a fire is burning in the fireplace.

This fireplace is not intended to be used as a substitute for a furnace to heat an entire home. Use for supplemental heat only.

This wood burning fireplace complies with the UL 127 standard as a FACTORY BUILT FIREPLACE.

This fireplace meets construction and safety standards of HUD for application in mobile homes when installed according to these directions.

SPECIFICATIONS



FIREPLACE INSTALLATION

SELECTING LOCATION

To determine the safest and most efficient location for the fireplace, you must take into consideration the following guidelines:

1. The location must allow for proper clearances (see Figure 1 and Figure 2, page 4).
2. Consider a location where the heat output will not be affected by drafts, air conditioning ducts, windows or doors.

3. A location that avoids cutting of joists or roof rafters will make installation easier.
4. An outside air kit is available with this fireplace (see [Outside Air Kit](#) on page 5).

WARNING: Do not install this appliance in a bedroom.

FIREPLACE INSTALLATION

Continued

MINIMUM CLEARANCE TO COMBUSTIBLES

Back and sides of fireplace	1" minimum*
Floor**	0" minimum
Wall to front of fireplace	36" minimum
Perpendicular wall to opening	14" minimum
Top spacers	0" minimum
Mantel clearances	see <i>Mantels</i> , page 14
Chimney outer pipe surfaces	1" minimum

* Not required at nailing flanges

** See step 2 of *Installing Fireplace*

WARNING: Do not pack required air spaces with insulation or other materials.

Minimum/Maximum Chimney Height

Minimum height of chimney, measured from base of fireplace to flue gas outlet of termination, is 15 feet for straight flue and 16 feet for a flue with one elbow set. Maximum distance between elbows is 2 feet. For systems with 2 elbow sets, minimum height is 25 feet. Maximum height of any system is 40 feet. This measurement includes fireplace, chimney sections and height of termination assembly at level of flue gas outlet (see Figure 15, page 10).

FRAMING

1. Frame opening for fireplace using dimensions shown in Figure 1.
2. If fireplace is to be installed directly on carpeting, tile (other than ceramic) or any combustible material other than wood flooring, the fireplace must be installed upon a metal or wood panel extending the full width and depth of fireplace.
3. Set fireplace directly in front of opening and slide unit back until nailing flanges touch side framing.
4. Check level of fireplace and shim with sheet metal if necessary.
5. Before securing fireplace to prepared framing, provided ember protector must be placed between hearth extension (not supplied) and under bottom front edge of fireplace to protect against glowing embers falling through. If fireplace is to be installed on a raised platform, a Z-type ember protector (not supplied) must be fabricated to

6. Using screws or nails, secure fireplace to framing through flanges located on sides of fireplace (see Figure 2).

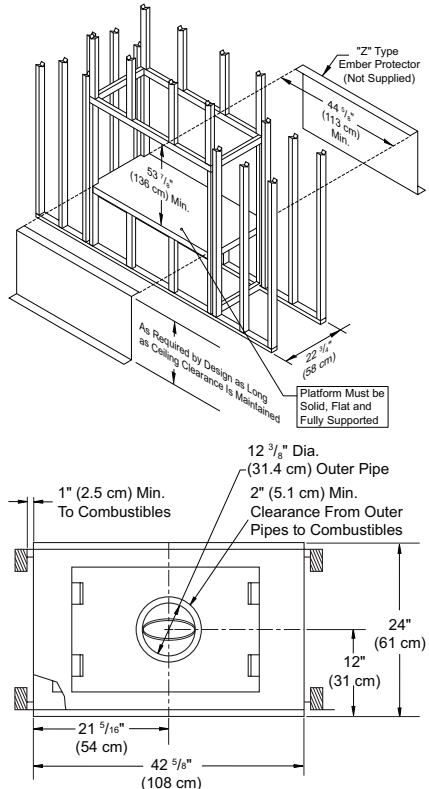


Figure 1 - Framing Dimensions

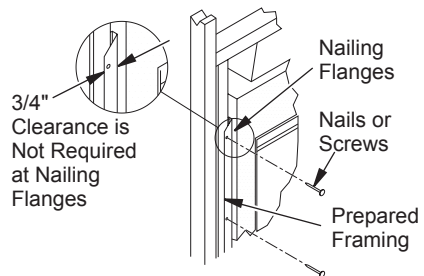


Figure 2 - Nailing Flanges

FIREPLACE INSTALLATION

Continued

HEARTH EXTENSION

A hearth extension projecting a minimum of 16" in front of and a minimum of 8" beyond each side of fireplace opening is required to protect combustible floor construction in front of fireplace. Use Style Crest, Inc. hearth extension (see *Accessories*, page 14) HE-36 or an equal material which meets the following specifications: a layer of noncombustible, inorganic material having a thermal conductivity of $K=0.84$ BTU IN/FT, HR. F (or less) at 1" thick. For example, if material selected has a K factor of 0.25, such as glass fiber, the following formula would apply:

$$\frac{0.25 \times 1.0"}{0.84} = 0.30" \text{ thickness required}$$

Thermal conductivity "K" of materials can be obtained from the manufacturer or supplier of the noncombustible material. If hearth extension is to be covered, use noncombustible material such as tile, slate, brick, concrete, metal, glass, marble, stone, etc. Provide a means to prevent hearth extension from shifting and seal gap between fireplace frame and hearth extension with a noncombustible material (see Figure 3).

WARNING: Hearth extension is to be installed only as shown in Figure 3.

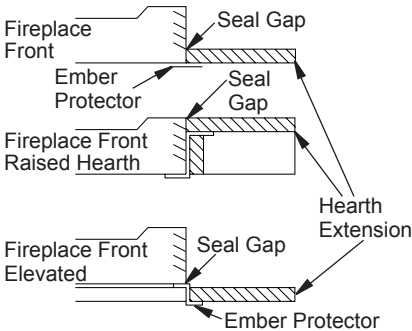


Figure 3 - Hearth Extension

MANTELS

A mantel may be installed if desired (see Figure 4). Woodwork such as wood trims, mantels or any other combustible material projecting from the front face must not be placed within 9" of fireplace opening. Combustible materials above 9" and projecting more than 1 1/2" from top opening of fireplace must not be placed less than 12" from top opening of fireplace (NFPA STD 211, Sec. 7-3.3.3).

Mantels or any other combustible material also may come up to side edge of black metal face of fireplace only if projection from front face falls within limits shown in Figure 5.

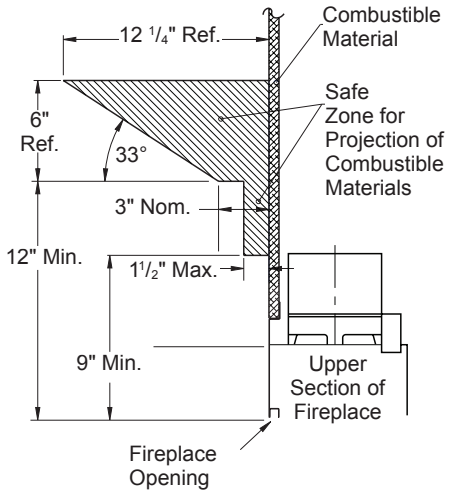


Figure 4 - Mantel Clearances to Combustible Material

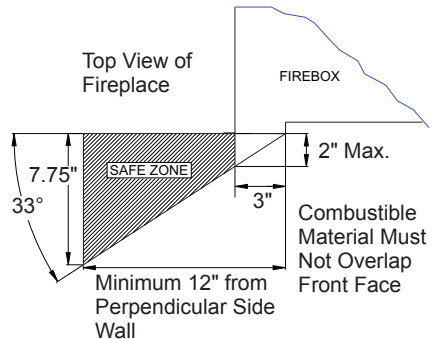


Figure 5 - Projection Limits to Front Face

VENTING INSTALLATION

OPTIONAL OUTSIDE AIR KIT (MODEL AK-6)

The installation of an outside air kit should be completed during the rough framing of fireplace due to the nature of its location. Outside combustion air is accessed through mobile home floor using air kit model AK-6 or a side wall using air kit model AK-6WI (see [Accessories](#) on page 14).

⚠ CAUTION: Combustion air inlet ducts shall not terminate in attic space.

The maximum height for the air vent can not exceed 3 feet below the flue gas outlet of the termination.

Secure to Collars with Metal Tape, Screws or Tie Straps (Min. of 1/4" x 20" size)

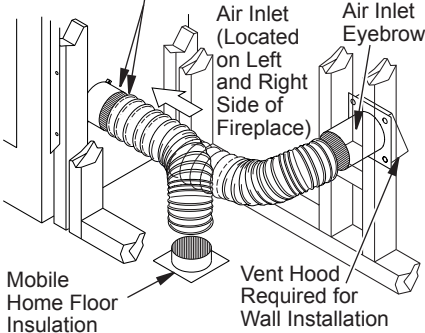


Figure 6 - Outside Air Kit Installation

CHIMNEY PIPE

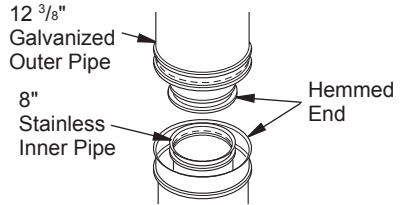
The Style Crest, Inc. chimney system consists of 12", 18", 24", 36" and 48" snap-lock, double-wall pipe segments, planned for maximum adaptability to individual site requirements. Actual lengths gained after fitting overlaps must be taken into consideration (lineal gain) and are given in the lineal gain chart (see Figure 7). Lineal gain is the actual measurable length of a part after two or more parts are connected.

There are two vent kits available which have been specially designed for common installations in manufactured (mobile) homes: MW8K (8' vent kit) and MW9K (9' vent kit). The contents of these kits are listed under [Accessories](#) on page 14.

Most chimney systems for manufactured houses require a standard straight installation as described in this section. If an uncommon offset installation is required, see page 7.

IMPORTANT: If height of chimney assembly exceeds requirements for transportation of the home, the chimney installation may be completed after home is sited.

Note: Termination must always be installed after home is sited.



LINEAL GAIN		
PART NO.	DESCRIPTION	GAIN
368STM(-1)	Fireplace	54"
12-8DM	Pipe Section	10 5/8"
18-8DM	Pipe Section	16 5/8"
24-8DM	Pipe Section	23 5/8"
36-8DM	Pipe Section	34 5/8"
48-8DM	Pipe Section	46 5/8"
RTL-8DM	Round Termination	7 3/4**
ETL-8DM	Square Chase with Slip Section	7" to 15"

* The lineal gain for the terminations is measured to the flue gas outlet height.

Figure 7 - Lineal Gain

ASSEMBLY AND INSTALLATION OF DOUBLE WALL CHIMNEY SYSTEM

Each double wall chimney section consists of a galvanized outer pipe, a stainless steel inner flue pipe and a wire spacer. Pipe sections must be assembled independently as chimney is installed. When connecting chimney directly to fireplace, inner flue pipe section must be installed first with lanced side up. Outer pipe section can then be installed over flue pipe section with hemmed end up. Press down on each pipe section until lances securely engage hem on fireplace starter. Wire will assure proper spacing between inner and outer pipe sections.

⚠ WARNING: The opening in the collar around the chimney at the top of the fireplace must not be obstructed. Never use blown insulation to fill the chimney enclosure.

VENTING INSTALLATION

Continued

Continue to assemble chimney sections as outlined above, making sure that both the inner and outer pipe sections are locked together.

When installing double wall snap-lock chimney together, it is important to assure joint between chimney sections is locked. Check by pulling chimney upward after locking. Chimney will not come apart if properly locked. It is not necessary to add screws to keep chimney together (exception, see Figure 12, page 8).

ADJUSTABLE FIRESTOP THIMBLE (FST-A)

The adjustable firestop thimble assembly (FST-A) is used to provide the necessary air space and clearance between the chimney pipe and insulation in the attic space of a manufactured home.

To install thimble assembly, determine distance between ceiling joist and roof framing. Attach adjustable thimble to firestop spacer so that assembly will cover the distance. Adjustable thimble should be even with or above the roofline (see Accessories, page 14, for thimble

extensions if a longer thimble is needed). Sheet metal screws or staples may be used to attach thimble to firestop spacer.

An opening large enough to allow insertion of firestop thimble assembly will be required in the ceiling. Attach firestop/thimble assembly to ceiling/ceiling joist using screws or staples as shown in Figure 8. A minimum of 8 screws or staples should be used.

The firestop thimble assembly should also be used where there is a cathedral ceiling, insulation barrier and roof, all in one assembly in a manufactured home (see Figure 8 and Figure 7). The FST-A thimble can be used in any one of three common ceiling pitches; flat, 12"/96" and 30"/144".

An opening big enough to allow the insertion of the firestop thimble assembly will be required. This opening depends on the pitch of your ceiling. If your ceiling is a flat or 12"/96" pitch, you must use the adapter plate provided to seal unwanted openings. For 30"/144" pitch, discard adaptor.

If adapter is needed, secure it onto firestop using holes provided (see Figure 9). The row of holes on sides of thimble is provided to allow for pitch variances. Position firestop assembly and thimble to desired angle and secure with screws provided. Insert thimble and firestop into prepared opening and secure to ceiling by nailing through firestop flanges. The thimble should be even with or above the roofline. Thimble extensions are available (as an option) when required. See Accessories, page 14.

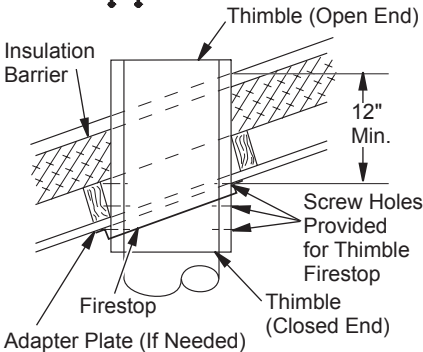
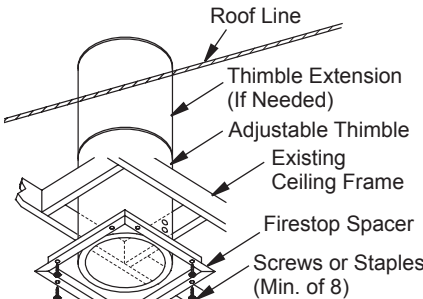


Figure 8 - Attaching Firestop/Thimble Assembly to Ceiling

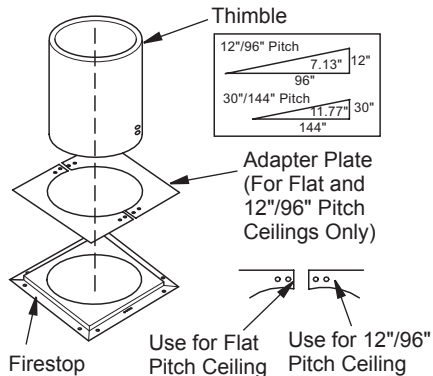


Figure 9 - Use a Firestop Thimble Assembly for Cathedral Ceiling, Insulation Barrier and Roof

VENTING INSTALLATION

Continued

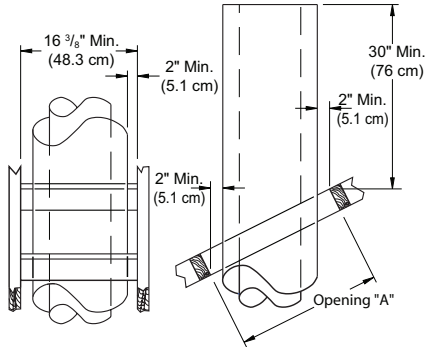
Note: If there is a second story in the home, firestop spacer 30FS-8DM will be required. See Firestop Spacers on page 9.

PENETRATING ROOF

To maintain a 2" clearance to the pipe on a roof with a pitch, a rectangular opening must be cut.

1. Determine center point through which pipe will penetrate roof.
2. Determine center point of roof. Pitch is the distance the roof drops over a given span, usually 12". A 6/12 pitch means that the roof drops 6" for each 12" measured down from roof rafters.
3. Use roof opening chart (Figure 10) to determine correct opening length and flashing required.
4. Remove shingles around opening measured. Cut out this section.
5. Add next sections of pipe until end penetrates roof line. Check to see that proper clearances are maintained. Extend chimney by adding sections of double wall pipe until pipe is minimum of 30" above highest point of roof cutout. Termination and chimney must extend a minimum of 36" above highest point where it passes through roof.

IMPORTANT: If an exposed portion of chimney is greater than 4 feet above roofline, use support wires to keep chimney secured. Support wires may be attached to outer pipe of chimney with screws provided screws do not penetrate inner flue pipe.



PITCH	SLOPE	OPENING "A" MAX	FLASHING MODE NO.
Flat	0°	17"	6F-8
0 - 6/12	26.6°	19 1/8 "	6F-8
6/12 - 12/12	45°	24 1/4 "	12F-8

Figure 10 - Determine Roof Opening

USING ELBOW OFFSETS (30E-8DM)

1. To achieve desired offset, you may install combinations of 12", 18", 24", 36" and 48" length of double wall pipe (see offset chart and Figure 11).
2. Chimney weight above offset rests on return elbow. Straps must be securely nailed to rafters or joists (see Figure 12, details A and B, page 9).

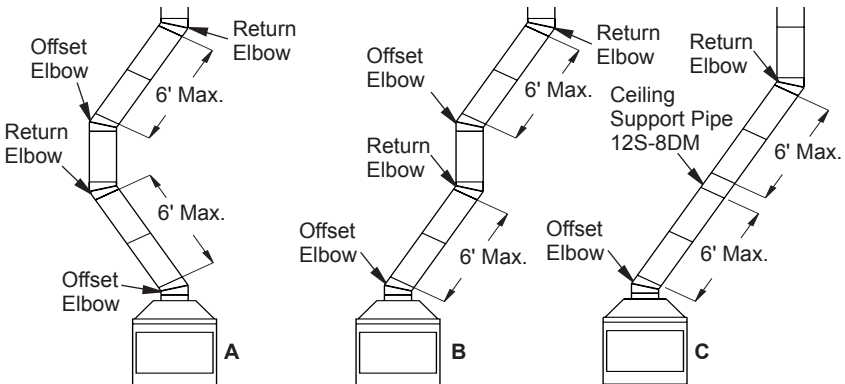


Figure 11 - Typical Offset Terminations (For Systems with 2 Elbow Sets, Minimum Height is 25 ft., Maximum Height for Any System is 40 ft.)

VENTING INSTALLATION

Continued

- Maximum length of pipe between supports (return elbow or 12S-8DM) is 6' of angle run. Maximum of two 6' angle run sections per chimney system (see Figure 11, page 8).
- All pipe connections between offset and return must be secured with two screws on the outer pipe only (see Figure 13). Do not penetrate inner stainless.

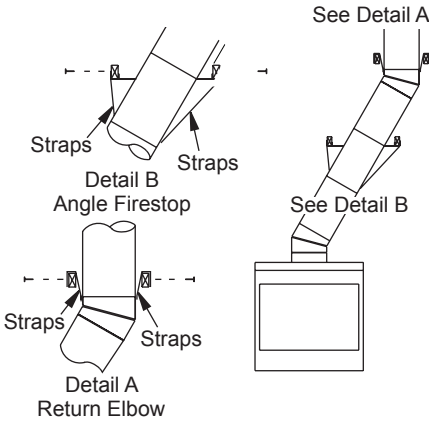


Figure 12 - Ceiling Support Pipe 12S-8DM

OFFSET A	RISE B	CHIMNEY LENGTH				
		48"	36"	24"	18"	12"
4 3/8"	16 3/8"	ELBOW SET ONLY				
9 3/4"	25 1/2"					1
12 3/4"	30 3/4"				1	
15"	34 3/4"			1		
18"	40"				1	1
21 1/4"	46 1/4"		1			
23 3/4"	49 1/4"			1	1	
27 3/4"	56 3/4"	1				
30"	60 3/4"		1		1	
33"	66"	1				1
36"	71"	1			1	
38 1/4"	75"		2			
41 1/4"	80 1/4"		1		1	1
45"	86 3/4"		2			
46 3/4"	89 1/2"	1			1	1
51"	97"	1	1			
53 1/4"	101"		2		1	
56 1/4"	106 1/4"	2				
59 1/4"	111 1/2"	1	1		1	
61 3/4"	115 1/2"	2				1
64 3/4"	120 3/4"	2			1	
68 1/4"	127"	1	2			
70"	130"	2			1	1
74 1/4"	137 1/2"	1	2			1
76 3/4"	141 1/2"	1	2		1	
79 3/4"	146 3/4"		4			

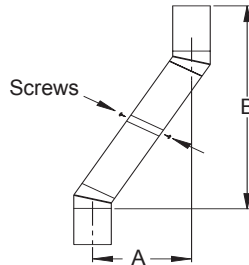


Figure 13 - Elbow Offset

FIRESTOP SPACERS (FS-8DM)

Firestop spacers are required at each point where chimney penetrates a floor space. Their purpose is to establish and maintain the required clearance between chimney and combustible materials.

When pipe passes through a framed opening into a living space above, firestop must be placed onto ceiling from below as shown in Figure 14.

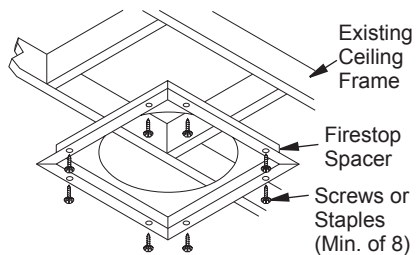


Figure 14 - Firestop Spacer with Living Space Above Ceiling

VENTING INSTALLATION

Continued

FLASHING INSTALLATION (V6F-8DM OR V12F-8DM)

Determine flashing to be used with roof opening chart. Slide flashing over pipe until base is flat against roof. Replace as many shingles as needed to cover exposed area and flashing base. Secure in position by nailing through shingles (see Figure 15). DO NOT NAIL THROUGH FLASHING CONE.

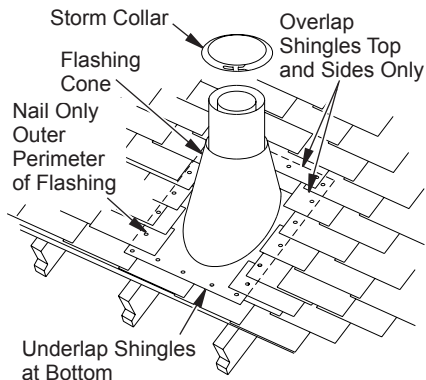


Figure 15 - Flashing Installation

Installing Flashing on a Metal Roof

When installing flashing on a metal roof, it is required that putty tape be used between flashing and roof. The flashing must be secured to roof using #8 x 3/4" screws and then sealed with roof coating to prevent leakage through screw holes. A roof coating must also be applied around the perimeter of flashing to provide a proper seal.

Storm Collar Installation (SC1 or SC2)

Place storm collar over pipe and slide down until it is snug against open edge of flashing (see Figure 16). Use SC1 for all round terminations and SC2 for all terminations with slip sections.

Note: Storm collar is required but can be installed after home is sited.

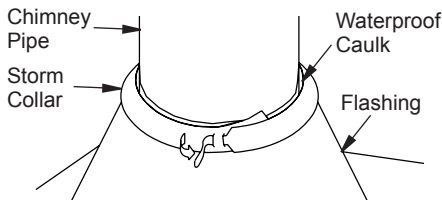


Figure 16 - Storm Collar

Terminations/Spark Arrestor

The fireplace system must be terminated with the listed round top termination. In any case, refer to installation instructions supplied with termination. The terminations approved for this fireplace are RT-8DM and RTL-8DM. Figure 17, shows an RTL-8DM round top termination.

IMPORTANT: Terminations are required but can be installed once manufactured house is sited.

CAUTION: Do not seal openings on the rooftop flashing. Follow the installation instructions provided with the termination being used.

Terminations with 16" slip pipe sections are available. The RTT-8DM and RTTL-8DM are approved for flashing installations. When needed, these adjustable terminations may be used in combination with the pipe assembly to achieve the correct chimney height.

Note: In the rare instance there is a problem with side driven rain or wind or chimney is not drafting properly, an ADS-8DM Anti Draft Shield can be used with round terminations.

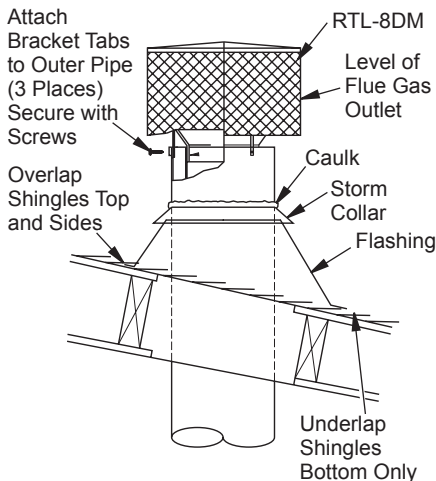


Figure 17 - Termination

VENTING INSTALLATION

Continued

CHASE INSTALLATIONS

Instructions for chase installations are included with the chase style termination chosen. In a multiple chase installation, be sure to provide adequate distance between terminations to prevent smoke spillage from one termination to another. Terminations must be separated a minimum of 24", center to center and stacked at a vertical height difference of a minimum of 18" (see Figure 18).

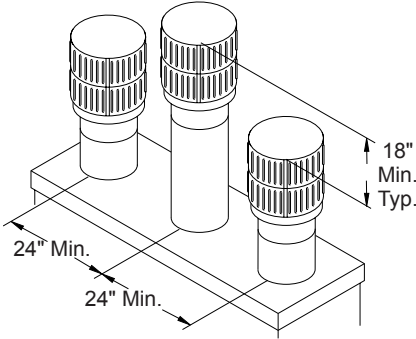


Figure 18 - Multiple Chase Installation

10 FOOT RULE

All flue gas outlet chimney terminations must extend a minimum of 3 feet in height above highest point where it passes through roof and must be at least 2 feet above highest point of roof that is within a horizontal distance of 10 feet (see Figure 19).

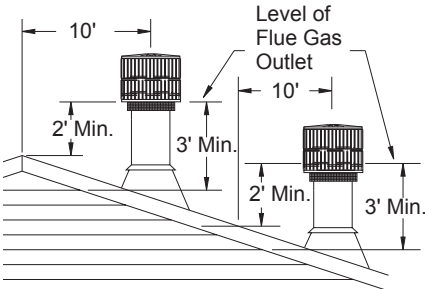
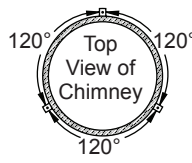
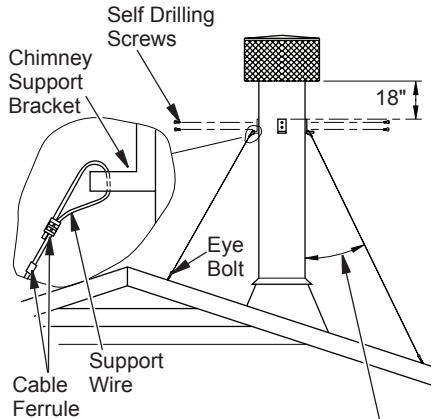


Figure 19 - 10 Foot Rule

CHIMNEY SUPPORT BRACKET KIT: CSK-8DM

If exposed portion of chimney is greater than five feet above roofline, support wires are recommended to keep chimney secured. Support wires must be attached to chimney support brackets. Chimney support brackets must be attached to outer pipe of chimney with self-drilling screws provided in kit (screws must not penetrate inner flue pipe). The angle of support wires should not be more than 45° from horizontal when fastened to roof. Place chimney support brackets approximately 18" below fireplace termination and space brackets approximately 120° apart (see Figure 20). Follow instructions included in kit.



Angle of Support Wire Should Not Be More Than 45° From Horizontal

Figure 20 - Support Wires

OPTIONAL GAS LINE INSTALLATION

Permanently Located (Sited) Homes Only

Gas line hook up should be done by your supplier or a qualified service person.

Note: Before you proceed, make sure your gas supply is turned off.

A gas line may be installed for the purpose of installing a vented or vent free appliance available through your local distributor. Use only a 1/2" black iron pipe and appropriate fittings. When installing a gas line, a shutoff valve designed for installation outside the appliance is recommended.

1. Remove knockout indentation on refractory or firebrick wall located above refractory hearth floor. The knockout indentation must be firmly tapped with any solid object such as a 1/2" dowel until it is released. Remove fragmented portions of refractory (see Figure 21).
2. Remove gas line cover plate located on either side of fireplace and pull out insulation from gas line conduit sleeve. Save insulation for reuse. Replace screws.
3. Run a 1/2" black iron gas line into fireplace through the rear, 11 1/4" from floor and through gas line conduit sleeve (if using a raised platform, add height). Provide sufficient gas line into fireplace chamber for fitting connection (see Figure 22).

Note: Secure incoming gas line to wood framing to provide rigidity for threaded end.

4. Repack insulation around gas line and into sleeve opening. Seal any gaps between gas line and refractory knockout hole with refractory cement or commercial furnace cement. Install gas appliance or cap off gas line if desired.

Note: Secure incoming gas line to wood framing to provide rigidity for threaded end.

If you wish to install an unvented (vent-free) gas log set, ONLY UNVENTED GAS LOG SETS WHICH HAVE BEEN FOUND TO COMPLY WITH THE STANDARD FOR UNVENTED ROOM HEATERS, ANSI Z21.11.2, ARE TO BE INSTALLED IN THIS FIREPLACE.

A vent-free log may be installed in an aftermarket,* permanently located, manufactured (mobile) home, where not prohibited by locator.

*Aftermarket: Completion of sale, not for purpose of resale, from the manufacturer.

Note: A hood must be installed when using an unvented gas log set (see [Accessories](#), page 14).

⚠ WARNING: Do not operate an unvented gas log set in this fireplace with the chimney removed.

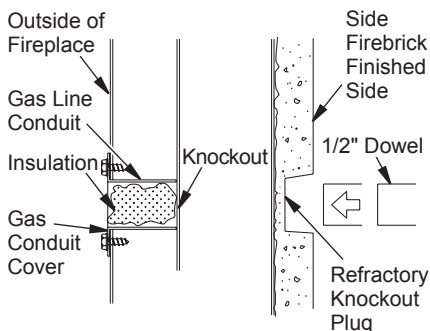


Figure 21 - Gas Line Knockout

⚠ CAUTION: All gas piping and connections must be tested for leaks after the installation is completed. After ensuring that the gas valve is on, apply soap and water solution to all connections and joints. Bubbles forming show a leak. Correct all leaks at once. DO NOT USE AN OPEN FLAME FOR LEAK TESTING AND DO NOT OPERATE ANY APPLIANCE IF A LEAK IS DETECTED. LEAK TESTING SHOULD BE DONE BY A QUALIFIED SERVICE PERSON.

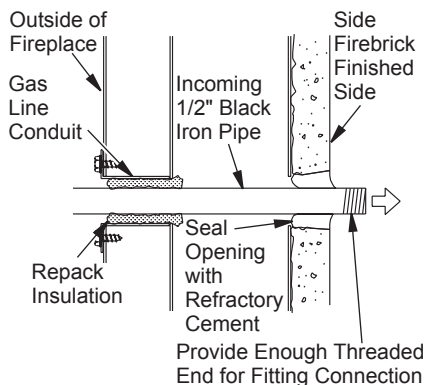


Figure 22 - Gas Line Installation

OPTIONAL GAS LINE INSTALLATION

Continued

If you install a decorative gas appliance (vented gas log), the decorative gas appliance must comply with the *Standard for Decorative Gas Appliance for Installation in Solid Fuel Burning Fireplaces, ANS Z21.60 or Z21.84* and shall also be installed in accordance with the *National Fuel Gas Code, ANSI Z223NFPA 54 latest edition*.

⚠ WARNING: If the fireplace has been used for wood burning, the firebox and chimney must be cleaned of soot, creosote and ashes by a qualified chimney cleaner. Creosote will ignite if heavily heated.

⚠ WARNING: When using a decorative vented gas log, the damper must be removed or permanently locked in the fully open position.

FINISHING FIREPLACE

Combustible materials, such as wallboard, gypsum board, sheet rock, drywall, plywood, etc. may make direct contact with sides and top around the fireplace face. It is important that combustible materials do not overlap the face itself. Brick, glass, tile or other noncombustible materials may overlap the front face as long as they do not obstruct essential openings like louvered slots or any other opening. When overlapping with a noncombustible facing material, use only noncombustible mortar or adhesive.

OPERATION AND MAINTENANCE

GLASS DOORS

Glass doors are standard with the 368STM fireplace. When fireplace is in operation, doors must be **FULLY OPENED** or **FULLY CLOSED** position only or a fire hazard may be created (see Figure 23). A fireplace equipped with glass doors operates much differently than a fireplace with an open front. A fireplace with glass doors has a limited amount of air for combustion. Excessive heat within fireplace can result if too large a fire is built or if combustion air gate is not completely open.

The following tips should be followed to assure that both the fireplace and glass doors retain their beauty and function properly. Both the flue damper and glass doors must be fully opened before starting the fire. This will provide sufficient combustion air and maintain safe temperatures in the firebox.

IMPORTANT: Glass must be allowed to warm slowly and evenly. Tempered glass will withstand a gradual temperature rise to 550° F, which is more than a normal fire will generate. Such materials as pitch/wax laden logs, very dry mill end lumber, and large amounts of paper or cardboard boxes can create an excessively hot fire and should not be burned in this fireplace. Always keep fire well back from doors and never allow flames to contact glass.

⚠ WARNING: Fireplaces equipped with glass doors should be operated only with doors fully opened or fully closed. Doors, if left partly open, may draw gas and flame out of the fireplace opening creating risks of both fire and smoke.

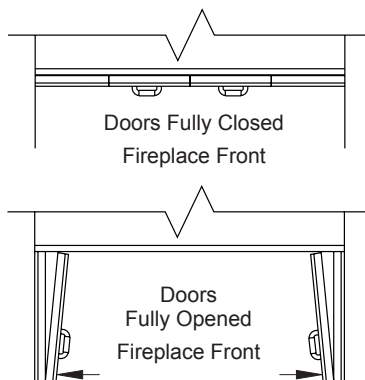


Figure 23 - Bi-Fold Glass Doors

OPERATION AND MAINTENANCE

Continued

CLEANING GLASS

Clean glass with any commercial glass cleaner or soap and water. Do not use any abrasive material to clean glass. Do not clean glass with any cool water if glass is still hot from fire and smoke.

DAMPER OPERATION

The damper handle, which opens and closes the damper blade, is located inside firebox at the center towards the back wall. Pushing handle back in the keyway slot will free damper blade to automatically open. To close, reach in and push handle back into keyhole slot then pull down and forward to lock it in place (see Figure 24).

OUTDOOR AIR MECHANISM

The outside air handle is located at both right and left sides of fireplace side refractory (see Figure 24). Pull to close and push to open. Always open both handles before starting a fire. This provides adequate outside combustion air. Close both handles when not in use to prevent cold air from entering the room.

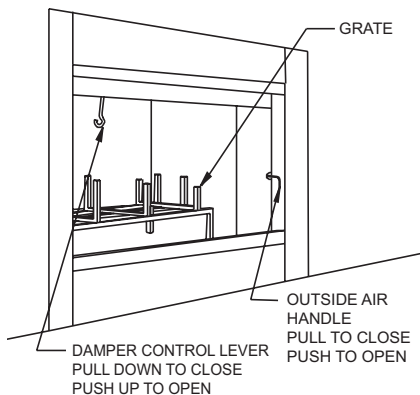
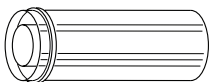


Figure 24 - Damper Operation

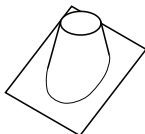
GRATE

⚠ WARNING: Risk of fire!
Always replace grate with Part Number 11168 only. This grate has been designed to keep the operation of your fireplace safe and efficient.

ACCESSORIES

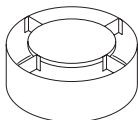


**DOUBLE WALL PIPE - 12-8DM,
18-8DM, 24-8DM, 36-8DM and 48-8DM**



ROOF FLASHING

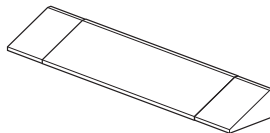
**V6F-8DM - 0 to 6/12 Pitch
V12F-8DM - 6/12 to 12/12 Pitch**



**ANTI-DRAFT SHIELD
(ROUND TOP TERMINATION ONLY)
ADS-8DM**



30° OFFSET AND RETURN - 30E-8DM



ADJUSTABLE HOOD

**GA6053 - Antique Brass Finish
GA6050 - Black Painted Finish**
This hood is required when installing a vent-free gas log heater in this firebox.

ACCESSORIES

Continued



STORM COLLAR

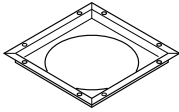
SC1-1 FOR RT-8DM AND RL-8DM

SC2-1 FOR RTT-8DM AND RTTL-8DM

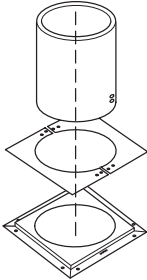


SQUARE CHASE-TOP

TERMINATION - ETL-8DM



FIRESTOP SPACER - FS-8DM



ADJUSTABLE FIRESTOP THIMBLE

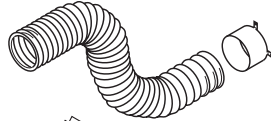
FST-A

Includes:

Thimble - PN 22383

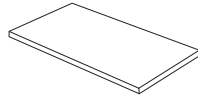
Adapter Plate - PN 22398 (For 12/96 Pitch Ceilings Only)

Firestop - PN 22377

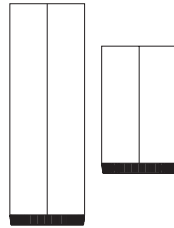


OPTIONAL OUTSIDE AIR KIT FOR

SIDE WALL INSTALLATION - AK-6WI



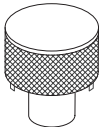
HEARTH EXTENSION - HE-36



THIMBLE EXTENSIONS

TXL-8DM - 43"

TX-8DM - 26"

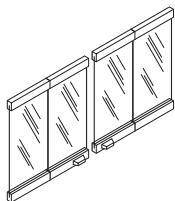


ROUND TOP TERMINATION - RTL-8DM

VENT KIT*	DESCRIPTION	MW8K (8' Vent Kit)	MW9K (9' Vent Kit)
36-8DM	36" Double Wall Pipe	2	2
24-8DM	24" Double Wall Pipe	1	0
18-8DM	18" Double Wall Pipe	0	2
FST-A	Adjustable Firestop Thimble	1	1
V6F-8DM	Roof Flashing	1	1
SC1-1	Storm Collar	1	1
RTL-8DM	Round Cap Termination	1	1

*Use for Most Common Manufactured (Mobile) Home Installations

REPLACEMENT PARTS

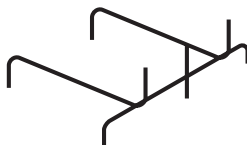


BI-FOLD GLASS DOORS

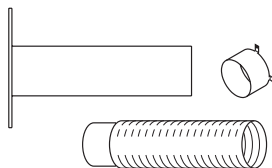
DBP368ST - Black

DC368ST - Platinum

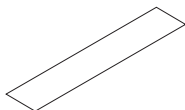
DG368ST - Brushed Brass



GRATE - 11168



OPTIONAL OUTSIDE AIR KIT FOR FLOOR INSTALLATION - AK-6



EMBER PROTECTOR - 20093

TECHNICAL SERVICE

You may have further questions about installation, operation, or troubleshooting. If so, contact Style Crest, Inc. at 1-800-231-4822 or write to:

Style Crest Service

P. O. Box 19110

Wichita, KS. 67204.

When calling or writing, please have your model and serial numbers of your heater ready.

This product is manufactured for
Style Crest Inc. under the VEXAR
brand name by:

FMI PRODUCTS, LLC

2701 S. Harbor Blvd.

Santa Ana, CA 92704

www.fmiproducts.com