

PORTABLE FORCED AIR HEATER  
*Illustrated Parts List*

## PFA-39

Issued: Sept., 1990

HANDYMASTER – HM70  
MASTER – B70B  
REDDY – R70B

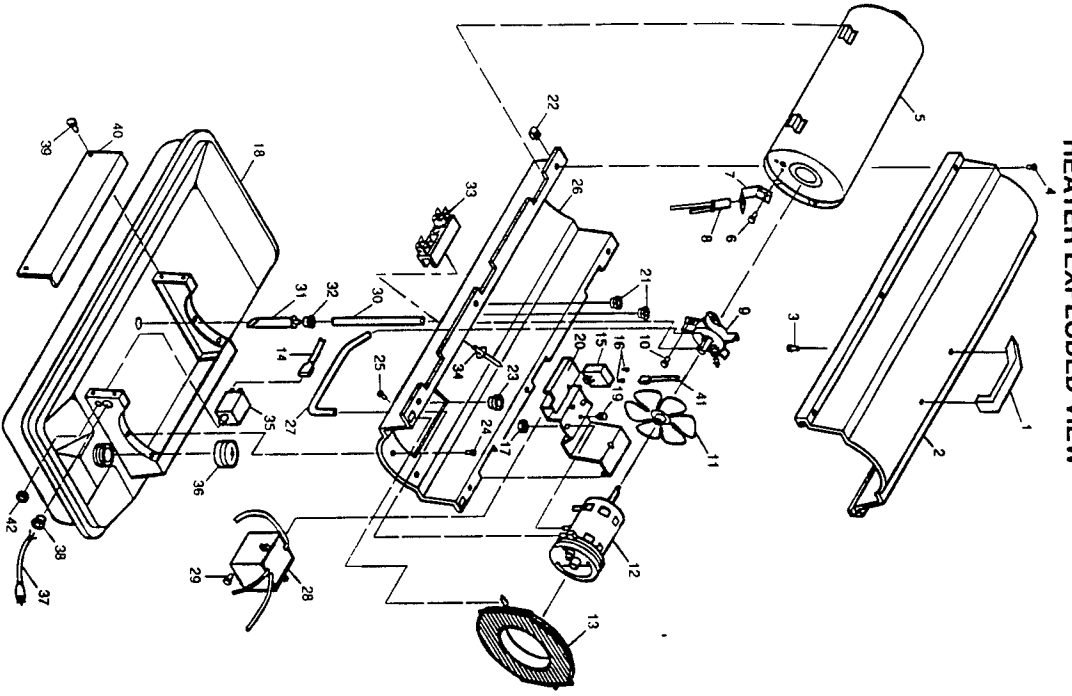
**IMPORTANT:** Do not use key numbers when ordering service parts. Always order components by part number and description. Include model and serial numbers.

KEY NO.	PART NUMBER	DESCRIPTION	QTY.	KEY NO.	PART NUMBER	DESCRIPTION	QTY.
1	M51104-01	Handle	1	20	098138-01	Motor Bracket	1
2	098511-159	Upper Shell (HM70)	1	21	M30865-02	Bushing	2
	098511-54	Upper Shell (B70B)	1	22	M11271-8	Clip Nut	6
	098511-36	Upper Shell (R70B)	1	23	M50104-02	Bushing	1
3	M11084-29	Screw, #10-16 x 3/4"	2	24	M11084-26	Screw, #10-16 x 3/8"	6
4	M15823-27	Screw, #10-16 x 1/2"	6	25	M15823-37	Screw, #8-18 x 1/4"	1
5	098512-12	Combustion Chamber	1	26	098511-160	Lower Shell (HM70)	1
6	M10908-2	Screw, #6-32 x 3/8"	2		098511-12	Lower Shell (B70B)	1
7	M16660	Photocell Bracket	1		098511-18	Lower Shell (R70B)	1
8	HA3019	Photocell Assembly	1	27	M29652-01	Airline	1
9	***	Burner Head Assembly	1	28	098557-06	Ignitor Kit	1
9-1	HA3008	Nozzle with Sleeve	1	29	M11084-29	Screw, #10-16 x 3/4"	2
9-2	M10659-1	Nozzle Seal Washer	2	30	079973-01	Fuel Line	1
9-3	M10809-1	Nozzle Seal Spring	1	31	M50876-05	Fuel Filter (With Bushing)	1
9-4	M8882	Nozzle Sleeve	1	32	M10990-3	Rubber Bushing	1
9-5	M51098-02	Burner Head Body	1	33	099125-03	Terminal Board	1
9-6	M50820-01	Barb Fitting	2	34	099157-01	Rivet	1
9-7	HA3012	Spark Plug	1	35	HA3003	Safety Control	1
10	M11084-27	Screw, #10-16 x 1/2"	3	36	097702-01	Fuel Cap Kit (Includes Gasket)	1
11	M51107-01	Fan	1	37	098219-18	Power Cord	1
12	***	Motor and Pump Assembly	1	38	M11143-1	Strain Relief Bushing	1
12-1	097308-02	Motor	1	39	M11084-26	Screw, #10-16 x 3/8"	2
12-2	079975-01	Pump Body	1	40	M50899-03AA	Side Cover	1
12-3	M22009**	Insert	1	41	079010-18	Wire Assembly (Red, 14 1/2")	1
12-4	M22456-1**	Rotor	1	42	099177-01	Hex Nut	1
12-5	M29608	Pump End Cover	1	PARTS AVAILABLE - NOT SHOWN			
12-6	M29632**	Lint Filter	1		078949-02	Tradename Decal (HM70)	
12-7	M29633**	Intake Filter	1		097646-02	Tradename Decal (B70B)	
12-8	M29609	Filter End Cover	1		097204-03	Tradename Decal (R70B)	
12-9	M12461-31	Screw, #10-32 x 1"	3		098493-01	General Information Decal	
12-10	M27694**	Adjusting Screw	1		099642-01	Owner's Manual (HM70)	
12-11	M10993-1**	Pressure Relief Spring	1		099176-01	Owner's Manual (B70B & R70B)	
12-12	M22997**	Plug	1		M51017-01	Tank Cushion Grommet (B70B)	3
12-13	M8940**	Steel Ball, 1/4" diameter	1	OPTIONAL ACCESSORIES			
12-14	M29612-01**	Output Filter	1		HA1210	Hang-up Thermostat	
12-15	M12461-31	Screw, #10-32 x 1"	6		HA1202	Heavy Duty Wheels and Handle Kit	
12-16	M50016	Elbow, 90°, Barb Fitting	1		HA1206	Standard Wheels and Handle Kit	
12-17	M8643**	Blade	4		HA1180	Air Gauge Kit	
12-18	FHPF3-3C	Screw, #10-32 x 3/8"	2		HA2210	Fuel Tank Filter Screen	
13	M51105-01	Fan Guard	1		HA3004	Rotor Kit (M22456-1, M22009, M8643)	
14	M16841-57	Wire Assembly (Red, 6")	1		HA3014	Filter Kit (M29632, M29633, M29612-01)	
15	097061-01	Solid State Relay	1		HA3020	Pump Kit (M27694, M10993-1, M22997, M8940)	
16	M15823-39	Screw, #8-18 x 1/2"	2				
17	NTC-4C	Hex Lock Nut, 1/4-20	2				
18	098513-24	Fuel Tank (HM70 & R70B)	1				
	098513-62	Fuel Tank (B70B)	1				
19	M50631	Rubber Bumper	2				

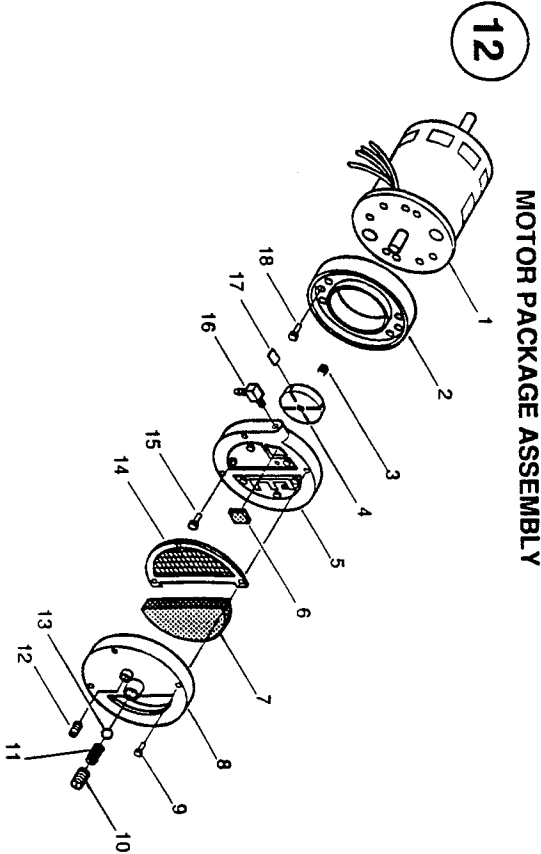
\*\* See OPTIONAL ACCESSORIES

\*\*\* Not available as an assembly.

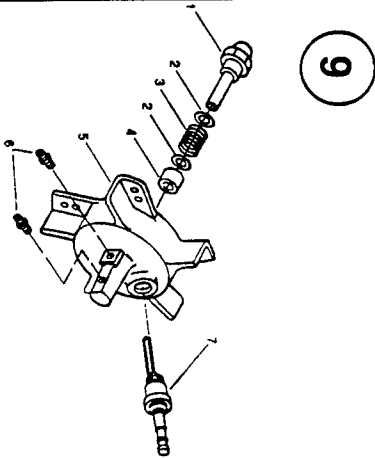
**HEATER EXPLODED VIEW**



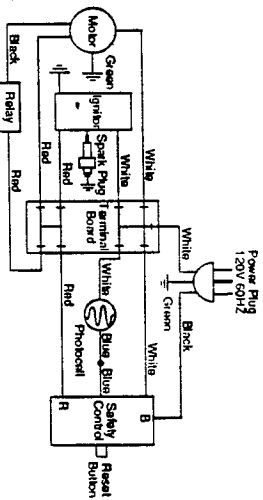
**MOTOR PACKAGE ASSEMBLY**



**BURNER HEAD ASSEMBLY**



**WIRING DIAGRAM**



**SPECIFICATIONS**

Output Rating (BTU Per Hour) **70,000**  
 Fuel Fuel Tank Capacity (U. S. Gallons) **5**  
 Fuel Consumption (Approximate U.S. Gallons Per Hour) **0.52**  
 Electric Requirements **120V/60Hz**  
 Amperage (During Normal Run) **2.5**  
 Starting Amps **8**

Motor RPM **3450**  
 Hot Air Output (Approximate CFM) **250**  
 Air Pump Pressure (PSI) **4.0**  
 Shipping Weight (Approximate Pounds) **36**  
 Heater Weight Without Fuel (Approximate Pounds) **31**